

Parts & Service Manual

R2-12B501	212-5	5-speed
S2-12B501	212-5SB	5-speed
R2-12BE01	212-H	Automatic
S2-12BE01	212-HSB	Automatic

1990
899002



Wheel Horse
Tractors & Riding Mowers

INTRODUCTION PAGE

1. How to use this parts manual

- 1.1. This parts manual is divided into major sections arranged in the sequence as outlined on the following page.
Major sections are subdivided into smaller groups of parts, each with its own illustration and illustration reference numbers.
- 1.2. Illustrated items are numerically keyed to the parts listing on the facing page. Illustrations are repeated when the parts list is too long for one page. Figure numbers are located at the bottom of each illustration and also at the beginning of each description column. Item numbers are numerically keyed to their respective illustrations.
- 1.3. When an (X) appears in the quantity (Qty) column use only if applicable or as required to meet tolerances.

2. To locate parts

Refer to the List of Illustrations to locate the proper illustration.

3. Service information

- 3.1. Special notes recorded on illustrations:
Refer to available owner & repair manuals and service bulletins for detailed information.
- 3.2. Standard torque values for fasteners:
Refer to Section 11 - Torque Specifications.
- 3.3. Paint:
Refer to Section 11 - Paint.

LIST OF ILLUSTRATIONS

1

TITLE	FIGURE NUMBER	PAGE
Section 1		
4 & 5 Speed Transmission	1-1	2
Hydrostatic Transaxle	1-2	4
Hydrostatic Transaxle - Control Linkage	1-3	6-8
Section 2		
Frame, Sheet Metal and Covers	2-1	10-12
Frame, Sheet Metal and Covers	2-2	14
Section 3		
Front Axle and Steering	3-1	16
Section 4		
Mechanical Transmission Brake & Clutch Linkage	4-1	18
Hydrostatic Transaxle Brake & Idler Linkage	4-2	20
Section 5		
Engine Pulley and PTO Clutch	5-1	22
Section 6		
Engine, Fuel and Exhaust Systems	6-1	24
Section 7		
Electrical System	7-1	26-28
Section 8		
Wheels and Tires	8-1	30
Section 9		
Seat and Suspension	9-1	32
Decals, Miscellaneous	9-2	34-36
Section 10		
30" Mower Deck	10-1	38
30" Mower Spindle	10-2	40
Section 11		
Torque Specifications, Fuel Line, Fasteners, Paint		42

SECTION 1 - TRANSMISSION

SEE SECTION 18 FOR ADJUSTMENT PROCEDURES

TRANSMISSION LUBRICANT

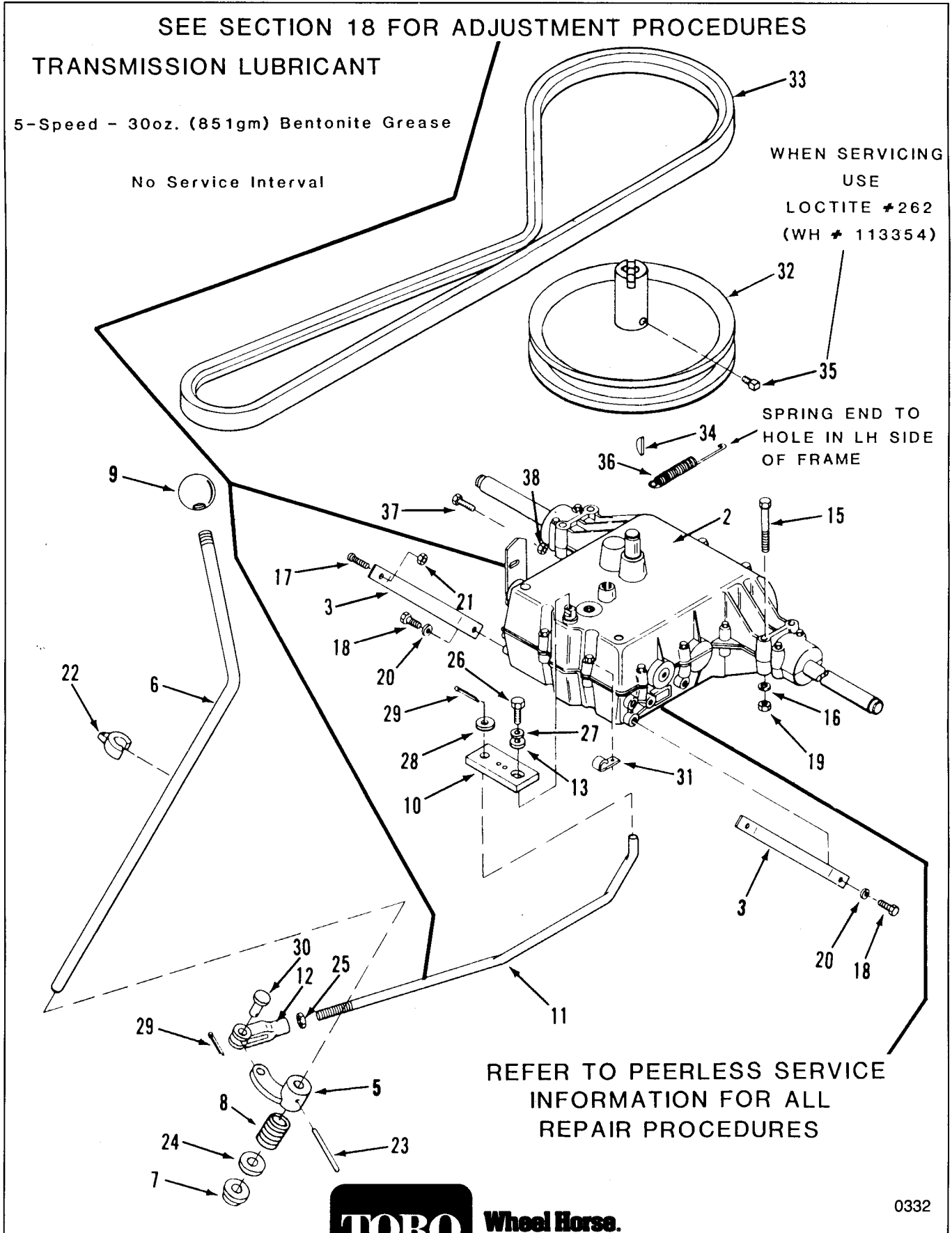
5-Speed - 30oz. (851gm) Bentonite Grease

No Service Interval

WHEN SERVICING
USE

LOCTITE #262
(WH # 113354)

SPRING END TO
HOLE IN LH SIDE
OF FRAME



0332

Figure 1-1 5-Speed Transmission

SECTION 1 - TRANSMISSION

ITEM	PART NUMBER	DESCRIPTION	Quantity
Figure 1-1			
5 - SPEED TRANSMISSION			
2	112299*	Trans. - 5-Spd. (Peerless Model 920-009) 212-5	1-
3	112982	Torque Strap	2
5	111430	Arm	1
6	114941	Shaft	1
7	5666	Nylon Bushing	1
8	111432	Spring	1
9	112983	Knob	1
10	115198	Transmission Arm	1
11	115042	Rod	1
12	115043	End Rod	1
13	104869	Special Washer	1
15	908025	Hex Hd Cap Screw 5/16-18 x 2-1/2	4
16	920008	Washer 5/16 SAE	6
17	900036	Carriage Bolt 5/16-18 x 5/8	2
18	926720	S.W. Form Screw 5/16-18 x 3/4	2
19	915662	E.S. Hex Nut 5/16-18	4
20	920082	Lockwasher 5/16	2
21	915112	Eslok Nut 5/16-18	2
22	113025	Pointer	1
23	933273	Spirol Pin 7/32 x-2 1/2	1
24	920259	Shim Washer .032	X
	1278	Shim Washer .050	X
25	915084	Jam Nut	1
26	908153	Hex Hd Cap Screw 1/4-28 x 7/8	1
27	920081	Lockwasher 1/4	1
28	920008	Washer 5/16 SAE	1
29	932008	Cotter Pin 3/4 x 3/32	2
30	911425	Bolt	1
	915662	Nut	1
	920008	Washer	1
31	111357	J-Clip	1
32	108790	Pulley Transm.	1
33	114860	Transmission Drive Belt (91.7")	1
34	937225	Hi Pro Key # 9 3/16 x 3/4	1
35	909540	Sq Hd Set Screw	2
36	110769	Brake Return Spring (4.9")	1
37	908019	Hex Bolt 5/16-18 x 1 Brake Stop	1
38	915112	Eslok Hex Nut 5/16-18	1

* Order Replacement Parts or Complete Assembly Through Manufacturer's Distribution System, Using Model/Spec. Number Shown. WHEEL HORSE Part Number is Listed for Cross-Reference Purpose only; Item is **Not Available** through WHEEL HORSE.

SECTION 1 - TRANSMISSION

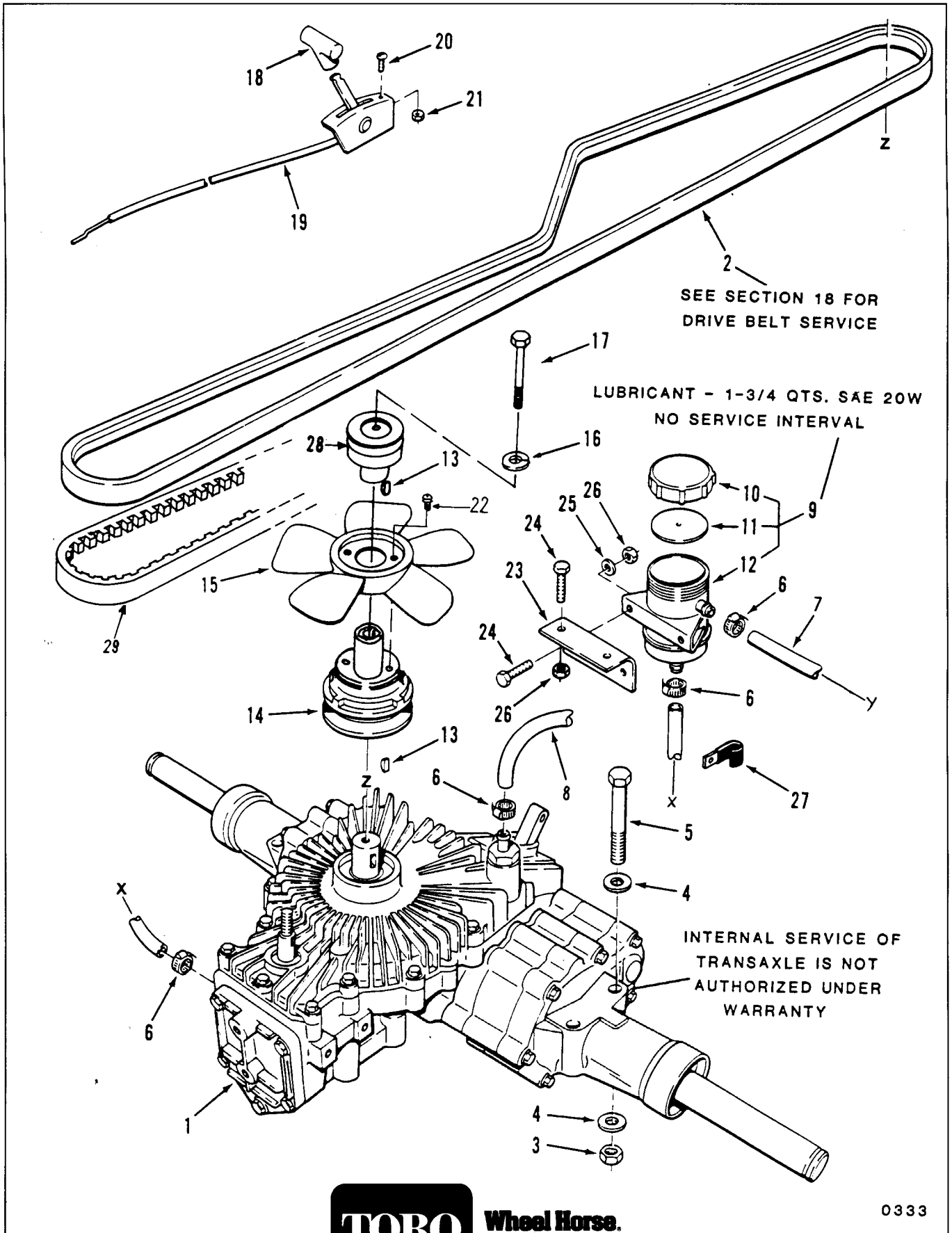


Figure 1-2 Hydrostatic Transaxle

SECTION 1 - TRANSMISSION

ITEM	PART NUMBER	DESCRIPTION	Quantity
Figure 1-2			
HYDROSTATIC TRANSAXLE			
1	113873*	Hydrostatic Transaxle (Eaton model 750-012)	1
	219025*	Rebuilt Hydrostatic Transaxle	X
2	114433	Belt (83")	1
3	915662	E.S. Nut 5/16-18	4
4	920008	Flat Washer 5/16 SAE	8
5	908026	Bolt 5/16-18 x 2-3/4	4
6	116180	Hose Clamp	4
7	114409	Hose (8-1/2")	1
8	114693	Hose (26")	1
9	114028	Hydro Reservoir Complete (includes items 10, 11 & 12)	1
10	114562	Cover	1
11	114563	Cover Gasket	1
12	114564	Reservoir	1
13	937222	Hi-Pro Key 5/8 x 3/16	2
14	115688	Pulley	1
15	115687	Fan	1
16	920081	Lock Washer 1/4	1
17	908011-6	Bolt	1
18	107045	Knob	1
19	114434	Push Valve Cable	1
20	910792	Screw ≠ 10-24 x 1/2	2
21	915740	Elast Nut ≠ 10-24	2
22	911910	Screw	2
23	116007	Reservoir Mounting Bracket	1
24	908003	Bolt 1/4-20 x 3/4	4
25	920007	Flat Washer 1/4 SAE	2
26	915661	E.S. Nut 1/4-20	4
27	8830	Clip	1
28	115686	Drive Pulley PGC (Hydro)	1
29	115968	V-Belt PGC	1

* Measure diameter of transaxle dump valve shaft end before ordering.

Replacement transaxle has dump valve shaft which requires an arm plate with a .564" diameter double "D" hole (see figure 3-3 item ≠ 46).

Confirm you have correct arm plate for reassembly.

SECTION 1 - TRANSMISSION

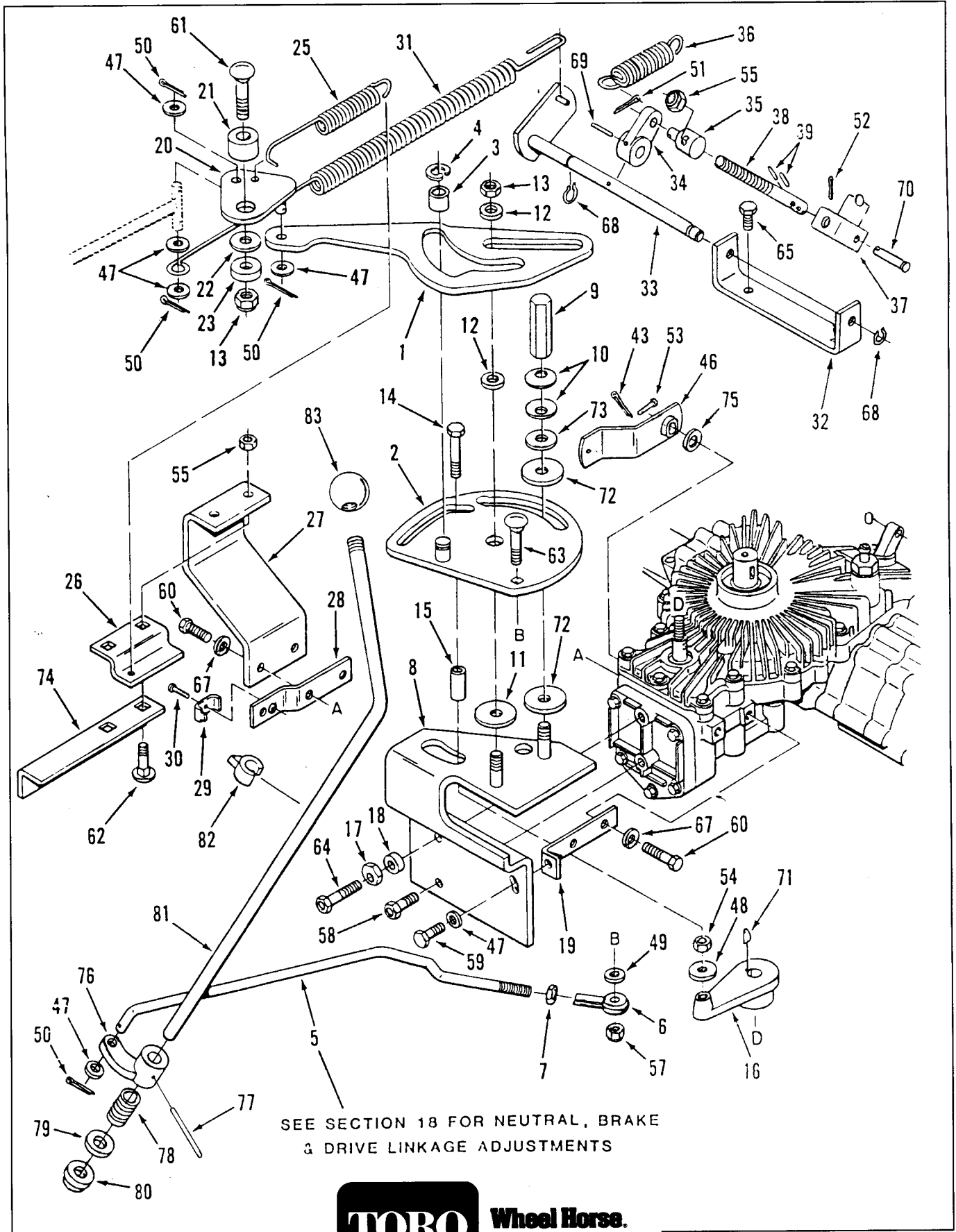


Figure 1-3 Hydrostatic Transaxle - Control Linkage

SECTION 1 - TRANSMISSION

ITEM	PART NUMBER	DESCRIPTION	Quantity
Figure 1-3			
HYDROSTATIC TRANSAXLE - CONTROL LINKAGE			
1	114416	Neutral Return Plate	1
2	114401	Cam Plate	1
3	100656	Cam Return Bearing	1
4	5701	E-Ring	1
5	116339	Speed Control Rod	1
6	110189	Rod End	1
7	915083	Jam Nut 1/4-28	1
8	114403	Cam Plate Support	1
9	114695	Special Nut 3/8-16 x 2	1
10	100365	Spring Disc Washer	2
11	100305	Friction Washer	1
12	100309	Cam Spacer	2
13	109779	Jam Nut 3/8-16	2
14	908007	Nylok Bolt 1/4-10 x 1-1/2	1
15	114402	Spacer	1
16	116340	Motion Control Arm	1
17	106661	Cam	1
18	109447	Gear Spacer	1
19	114656	Angle Support	1
20	114404	Neutral Pivot Plate	1
21	114697	Spacer	1
22	920271	Special Washer	1
23	104859	Lift Link Spacer	1
25	114818	Spring (4.87")	1
26	114668	Spring Bracket	1
27	114410	Torque Bracket	1
28	115678	Mounting Plate	1
29	111688	Clamp	1
30	926641	Screw ≠ 10-24 x 1/2	1
31	114698	Brake Spring (16.48")	1
32	114666	Bracket	1
33	114670	Brake Pivot	1
34	114663	Plate	1
35	104524	Trunnion	1
36	107677	Brake Spring (2.26")	1
37	114665	Clevis	1
38	114808	Rod	1
39	933132	Spirol Pin 3/32 x 7/16	1
43	932000	Cotter Pin 1/16 x 1/2	1
46	116398	Arm Plate (Double "D" hole dia.-.564")	1
47	920008	Washer 5/16 SAE	5
48	920009	Washer 3/8 SAE	1
49	920007	Washer 1/4 SAE	1
50	932008	Cotter Pin 3/32 x 3/4	3
51	932009	Cotter Pin 3/32 x 1	1
52	932001	Cotter Pin 1/16 x 3/4	1

SECTION 1 - TRANSMISSION

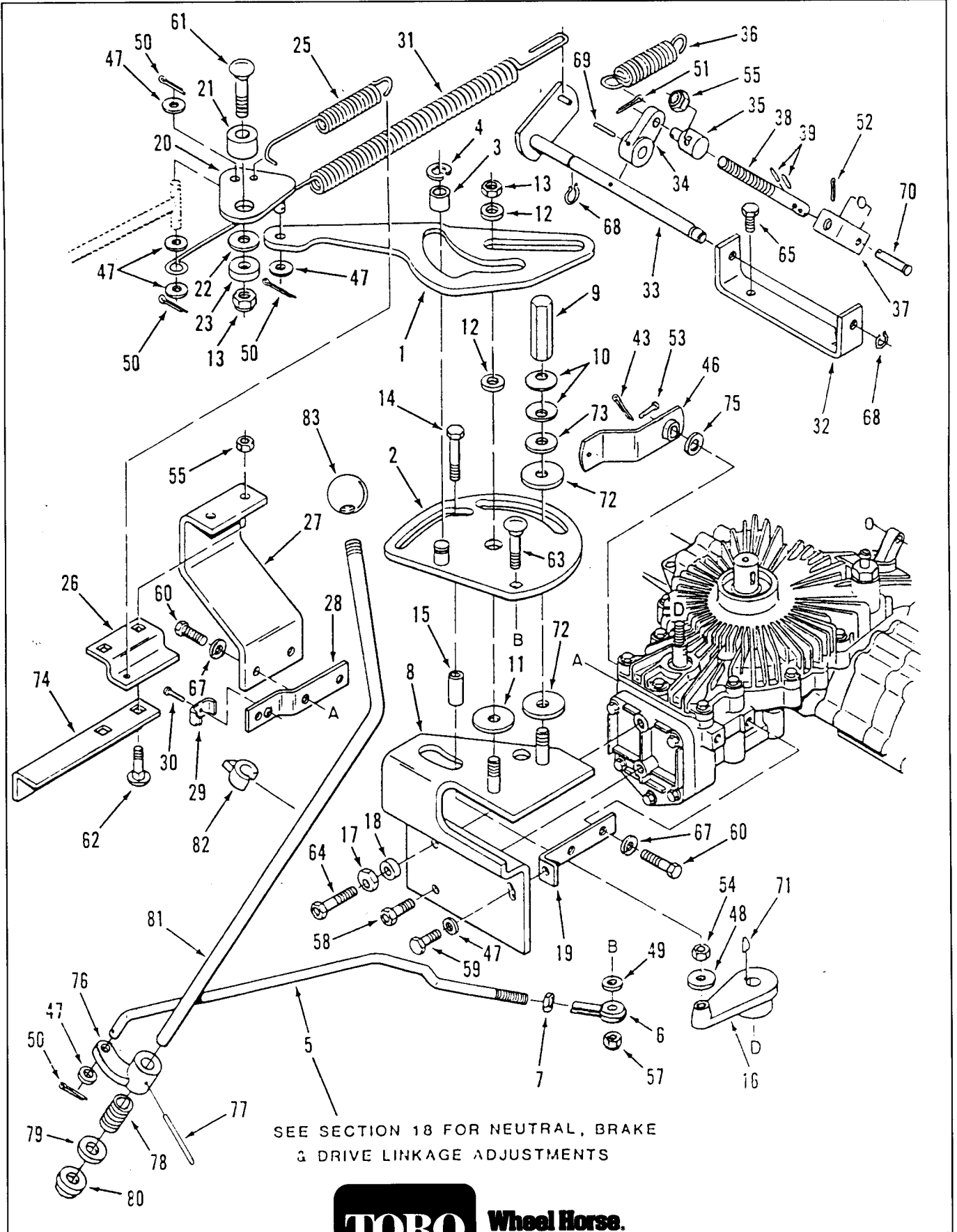
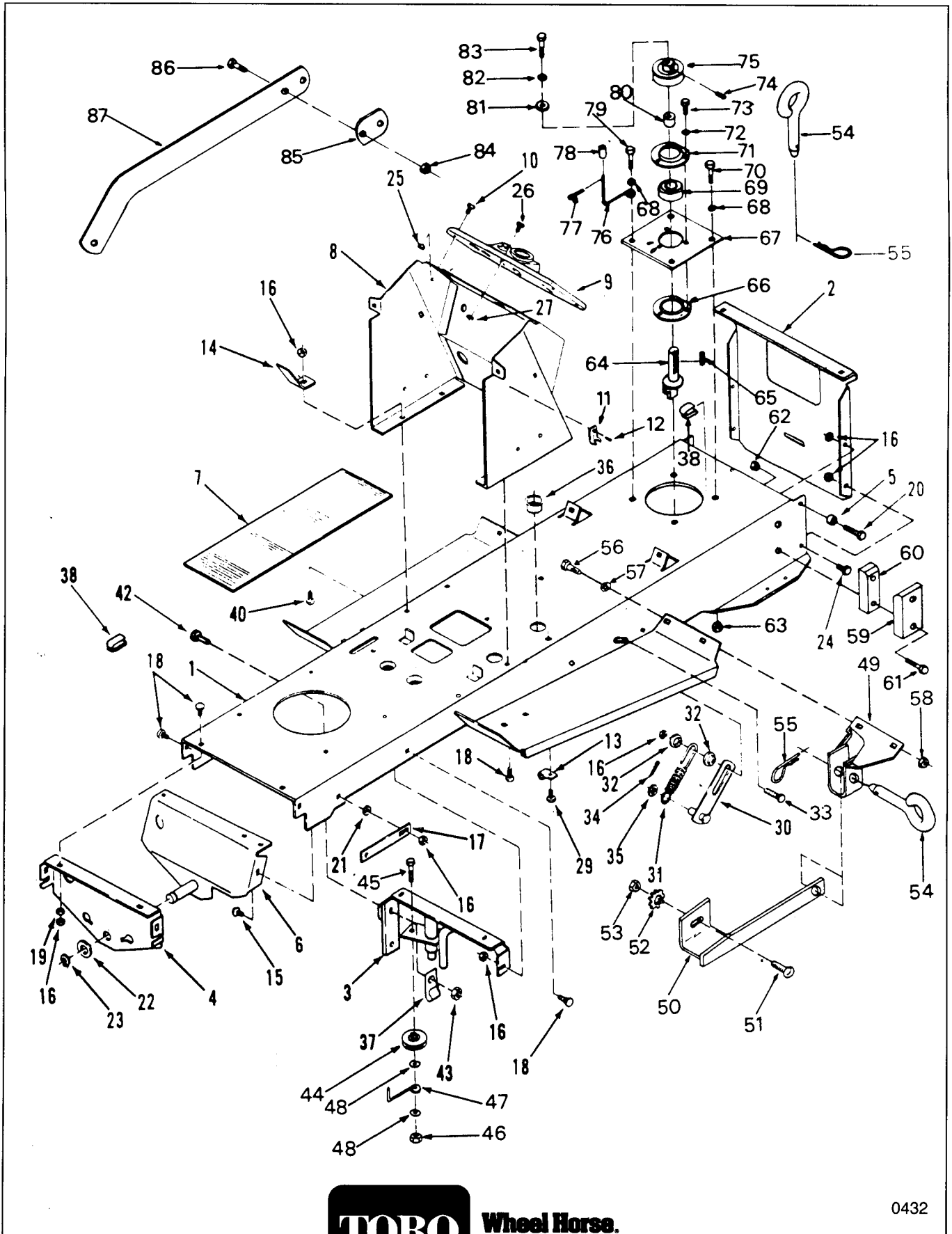


Figure 1-3 Hydrostatic Transaxle - Control Linkage

SECTION 1 - TRANSMISSION

ITEM	PART NUMBER	DESCRIPTION	Quantity
Figure 1-3			
HYDROSTATIC TRANSAXLE - CONTROL LINKAGE (CONT'D)			
53	932948	Cotter Pin 1/4 x 1-1/4	1
54	915113	Eslok Nut 3/8-16	1
55	915662	E.S. Nut 5/16-18	3
57	915661	E.S. Nut 1/4-20	1
58	926720	S.T. Bolt 5/16-18 x 3/4	1
59	908016	Bolt 5/16-18 x 5/8	1
60	908017	Bolt 5/16-18 x 3/4	4
61	900065	Carriage Bolt 3/8-16 x 1-1/2	1
62	900038	Carriage Bolt 5/16-18 x 1	2
63	900016	Carriage Bolt 1/4-20 x 1-1/2	1
64	926698	S.T. Screw 5/16-18 x 1-1/4	1
65	908016	Bolt 5/16-18 x 5/8	2
67	920082	Lock Washer 5/16	4
68	936115	External Snap Ring	2
69	933152	Spirol Pin 1/8 x 3/4	1
70	932948	Clevis Pin	1
71	937082	Woodruff Key 1/8 x 1/2	1
72	114821	Friction Washer	2
73	920039	Washer 3/8 US	1
74	115677	Bracket	1
75	920259	Plain Special Washer	1
76	111430	Arm	1
77	933273	Spirol Pin 7/32 x 2-1/2	1
78	111432	Spring	1
79	920259	Shim Washer .032	X
	1278	Shim Washer .050	X
80	5666	Nylon Bushing	1
81	111431	Shaft	1
82	113025	Pointer	1
83	112983	Knob	1

SECTION 2 - FRAME, SHEET METAL AND COVERS



0432

Figure 2-1 Frame, Sheet Metal and Covers

SECTION 2 - FRAME, SHEET METAL AND COVERS

ITEM	PART NUMBER	DESCRIPTION	Quantity
Figure 2-1			
FRAME, SHEET METAL AND COVERS			
1	114423	Frame	1
2	114417	Rear Drawbar Plate	1
3	112850	Frame Support Plate 212-H, 212-HSB	1
	115104	Frame Support Plate 212-5SB	1
4	111397	Axle Support Plate - Front	1
5	114610	Cam Roller 212-H	2
6	112977	Axle Support - Rear	1
7	110180	Footrest Mat - Rubber	2
8	113423	Hoodstand-5Spd	1
	113400	Hoodstand 212-H, 212-HSB	1
9	111467	Console Panel	1
10	111499	Pan Hd Screw 10-24 x 5/8 Black	4
11	109237	Latch Keeper	2
12	923784	Pop Rivet 1/8 x .232	4
13	111392	J-Clip	1
14	111671	Fuse Bracket	1
15	900038	Carriage Bolt 5/16-18 x 1	2
16	915662	E.S. Hex Nut 5/16-18	8
17	111763	Strap	2
18	900037	Carriage Bolt 5/16-18 x 3/4	7
19	920008	Washer 5/16 SAE	5
20	908020	Hex Hd Cap Screw 5/16-18 x 1-1/4	2
21	920155	Internal Tooth Lockwasher 5/16	2
22	1278	Shim Washer .050	X
	5210	Shim Washer .015	X
23	104822	Retaining Ring 3/4	1
24	908016	Hex Hd Cap Screw 5/16-18 x 5/8	2
25	915740	Hex Nut 10-24	4
26	910837	Croze Recess Pan Mach Screw 1/4-20 x 5/8	1
	920081	Lockwasher 1/4" (not illustrated)	1
27	915111	Eslok Nut 1/4-20	1
29	908019	Hex Bolt 5/16-18 x 1"	3
30	111524	Link	2
31	111527	Spring	2
32	111758	Bushing	4
33	900040	Carriage Bolt 5/16-18 x 1-1/2	2
34	932025	Cotter Pin 5/32 x 1	2
35	920242	Special Washer	2
36	938031	Bushing	1
37	8830	Clip	1
38	113116	Retainer	2
40	908019	Bolt 5/16-18 x 1	2
42	908035	Bolt 3/8-16 x 1-1/4	1
43	915663	E.S. Nut 3/8-16	1
44	110370	Pulley (not on 212-H)	1

SECTION 2 - FRAME, SHEET METAL AND COVERS

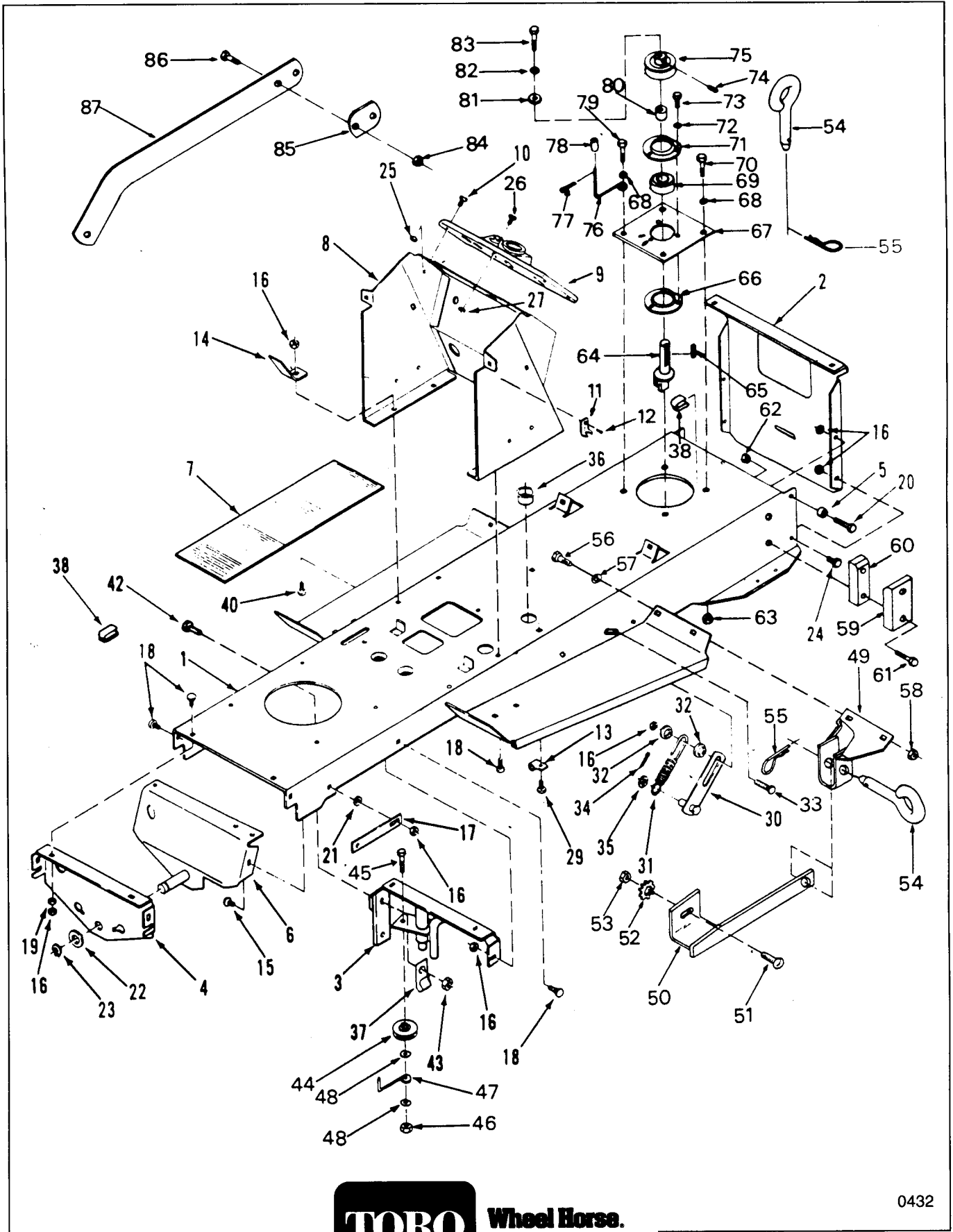


Figure 2-1 Frame, Sheet Metal and Covers

SECTION 2 - FRAME, SHEET METAL AND COVERS

ITEM	PART NUMBER	DESCRIPTION	Quantity
Figure 2-1			
FRAME, SHEET METAL AND COVERS (CONT'D)			
45	908038	Bolt (not used on 212-H, 212-HSB)	1
46	915663	Nut (not used on 212-H, 212-HSB)	1
47	109230	Belt (not used on 212-H, 212-HSB)	1
48	920009	Washer (not used on 212-H, 212-HSB)	2
49	114723	Assy Bracket LH (not used on 212-5SB, 212-5)	1
		Assy Bracket RH (not illustrated)(not used on 212-5SB, 212-5)	1
50	115767	Brace Weldment LH (not used on 212-5SB, 212-5)	1
	115768	Brace Weldment RH (not illustrated)(not used on 212-5SB, 212-5)	1
51	900063	Bolt (ONLY used on 212-5SB, 212-5)	2
52	1336	Washer (not used on 212-5SB, 212-5)	2
53	915663	Nut	2
54	106634	Toolpin (ONLY 1 used on 212-5SB, 212-5)	3
55	933505	Hairpin (ONLY 1 used on 212-5SB, 212-5)	3
56	908017	Bolt	2
57	920267	Washer	2
58	915112	Nut	2
59	114756	Block-Rub (not used on 212-5SB, 212-5)	2
60	114762	Spacer-Rub Block (not used on 212-5SB, 212-5)	2
61	910842	Bolt (not used on 212-5SB, 212-5)	4
62	915661	Nut (not used on 212-5SB, 212-5)	4
63	915662	Nut (not used on 212-5SB, 212-5)	4
64	116119*	Shaft Drive	1
65	6366*	Key	1
66	102536*	Bearing-Cup W/Nut	1
67	114686*	Plate MTG	1
68	920008	Washer	4
69	102534*	Bearing-Ball	1
70	908017	Bolt	3
71	102533*	Cup Bearing	1
72	920081	Lockwasher	3
73	908001*	Bolt	3
74	909863*	Set Screw	1
75	114740*	Drive Pulley PGC	1
76	114811*	Belt Guide	1
77	932001*	Cotter Pin	1
78	114812*	Spacer	1
79	908019	Bolt	1
80	114741*	Spacer Shaft	1
81	2844*	Washer	1
82	920083*	Lockwasher	1
83	908034*	Bolt	1
84	915663	Nut	4
85	114757	Spacer (not used on 212-5SB, 212-5)	2
86	908035	Bolt	4
87	114755	Bar Pivot (not used on 212-5SB, 212-5)	2

* Only used on 212-5

SECTION 2 - FRAME, SHEET METAL AND COVERS

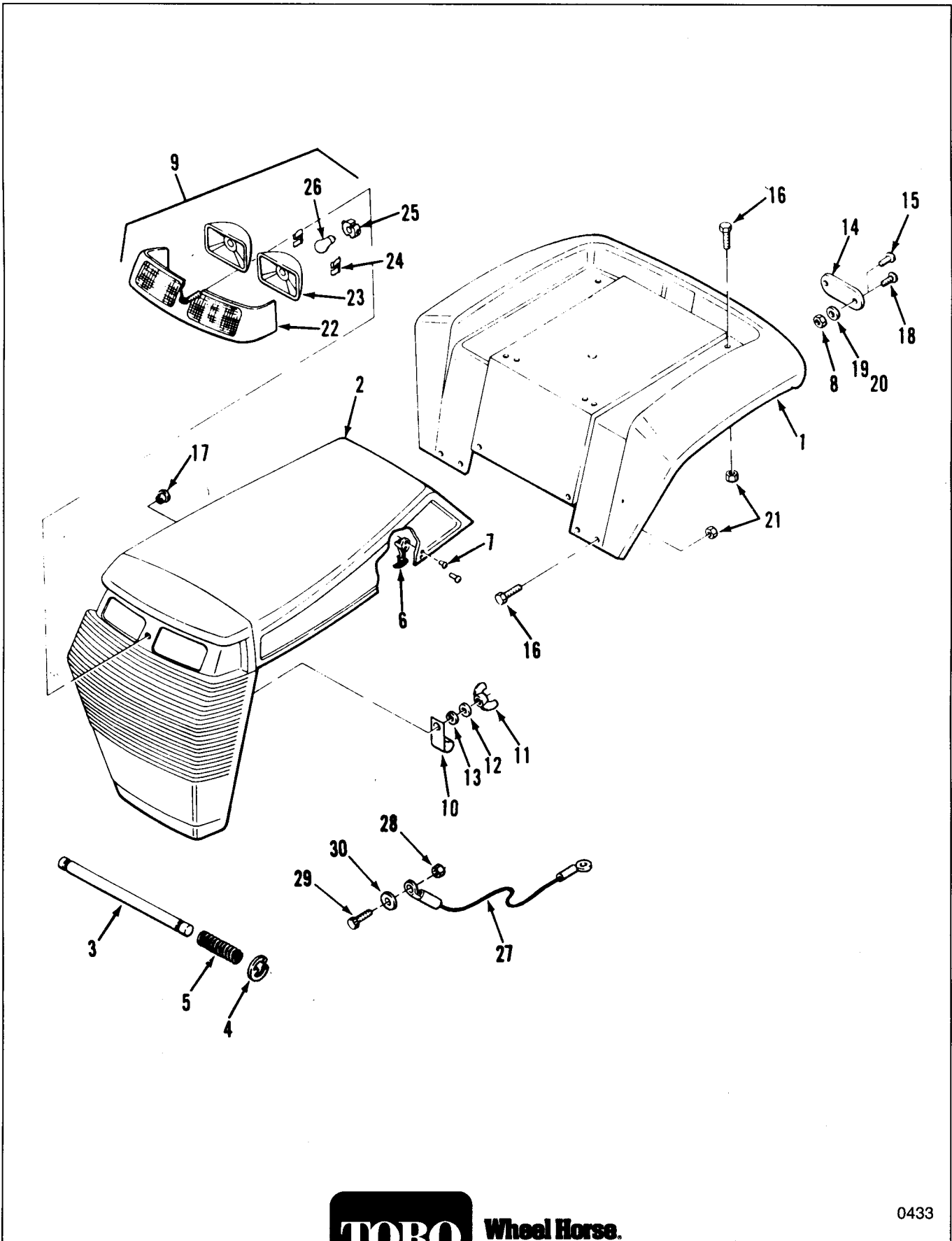


Figure 2-2 Frame, Sheet Metal and Covers

SECTION 2 - FRAME, SHEET METAL AND COVERS

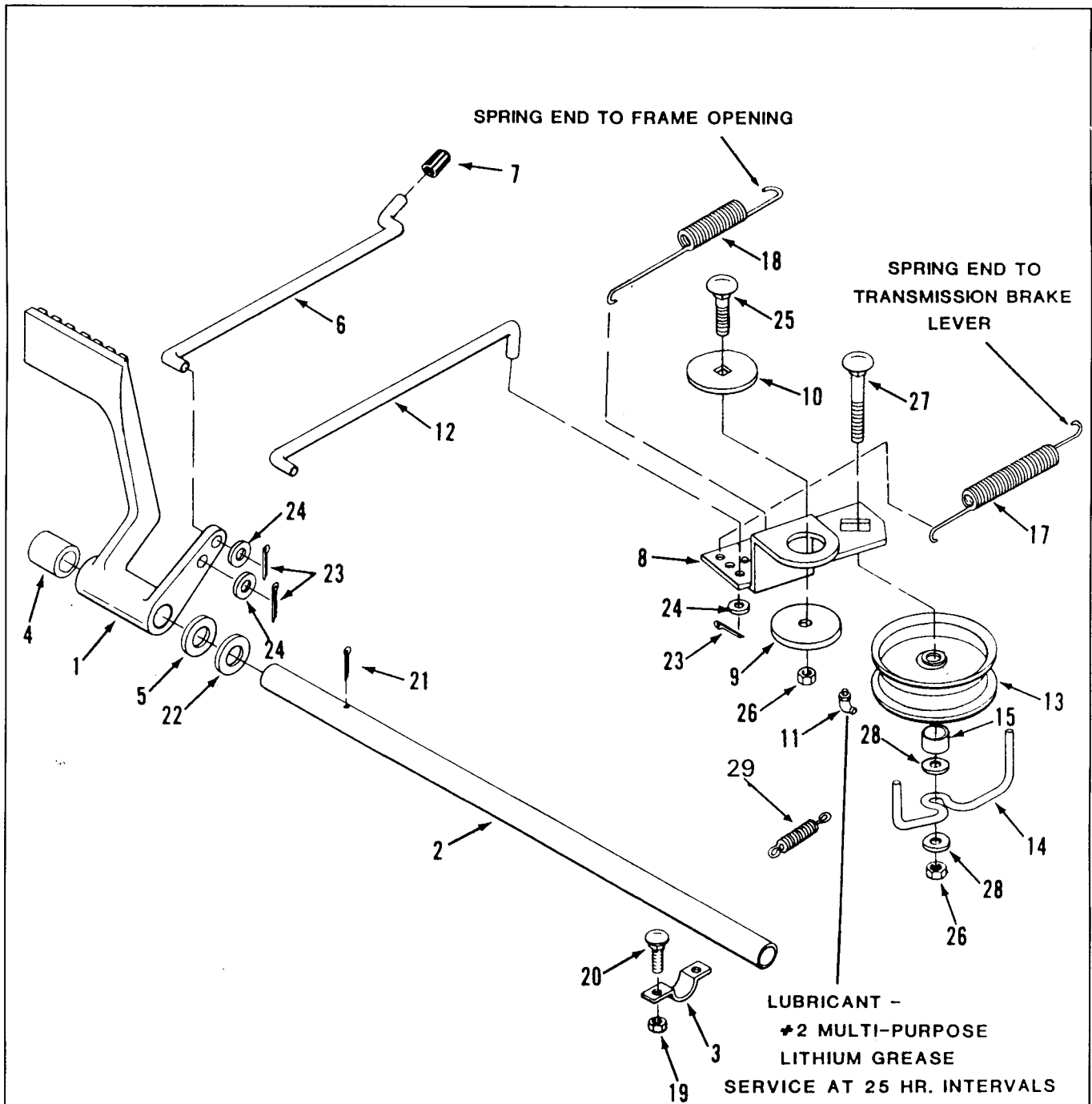
15

ITEM	PART NUMBER	DESCRIPTION	Quantity
Figure 2-2			
FRAME, SHEET METAL AND COVERS			
1	114389	Fender	1
2	115470	Hood & Grill	1
3	111480	Rod	1
4	107772	E-Ring	2
5	111536	Spring	2
6	117343	Handle w/Bracket (109237)	2
7	117431	Pop Rivet 1/8 x 1/8	4
8	915551	Nut # 10-32 (optional)	2
9	116591	Head Light Bar (includes items 22, 23, 24, 25, & (2) of (26))	1
10	111392	Clip 212-6	1
11	MW8756	E.S. Wing Nut 1/4-20	1
12	103995	Special Washer	1
14	108547	Reflector	2
15	109193	Poprivet .188 x .57 Aluminium	4
16	900038	Carriage Bolt 5/16-18 x 3/4	8
	920008	Washer 5/14 SAE (not illus)	8
17	938031	Bushing	2
18	910808	Screw # 10-32 x 5/8 (options)	2
19	920004	Washer # 8 (used w/poprivet - production)	2
20	920079	Lockwasher # 10 (options)	2
21	915662	E.S. Hex Nut 5/16-18	8
22	116599	Light Bar	1
23	111684	Light Pods	2
24	111685	Light Retainers	4
25	116262	Light Sockets	2
26	7228	Light Bulb	2
27	112708	Hood Lanyard Cable	1
28	915740	E.S. Hex Nut # 10-24	1
29	913111	Machine Hd Screw # 10-24 x 1/2	1
30	112925	Backing Washer	1

SECTION 3 - FRONT AXLE AND STEERING

ITEM	PART NUMBER	DESCRIPTION	Quantity
Figure 3-1			
FRONT AXLE AND STEERING			
1	114385	Axle - Front	1
2	1030	Grease Fitting	3
3	112847	Support Bracket	1
4	113044	Tube	1
5	113030	Pin	2
6	111531	Spring	1
7	111406	RH Spindle	1
8	111409	LH Spindle	1
9	104822	Retaining Ring 3/4	2
11	112981	Tie Rod	1
12	111413	Pinion Shaft	1
	116480	Pinion Shaft Coupler (not illus.)	1
	933221	Spirol Pin 1/4" x 2 (not illus.)	1
13	111417	Sector Gear	1
14	111418	Eccentric Bushing	1
15	111419	Washer	1
17	114943	Steering Gear Bracket 5 spds	1
	114711	Steering Gear Bracket (212 H, 212-HSB)	1
	920267	Special Washer (212-5SB, 212-5)	2
18	110391	Bushing	1
19	111422	Retainer	1
20	111423	Drag Link Rod	1
23	113987	Steering Wheel - 13" Plastic	1
25	908018	Hex Hd Cap Screw 5/16-18 x 7/8	2
26	920082	Lockwasher 5/16	2
27	933268	Spirol Pin 3/16 x 1-1/2	2
28	915001	Eslok Hex Nut 5/16-24	1
29	1278	Washer.050	X
30	900235	Bolt 3/8-16 x 1-1/4	1
31	108881	Lock Hex Nut 3/8-16	1
32	911449	Carriage Bolt 5/16-18 x 7/8	2
33	915662	E.S. Hex Nut 5/16-18	3
34	920008	Washer 5/16 SAE	1
35	900038	Carriage Bolt 5/16-18 x 1	1
36	915002	Eslok Hex Nut 3/8-16	1
37	933272	Spirol Pin 5/16 x 1-3/8	1
39	2844	Special Washer	2

SECTION 4 - BRAKE AND CLUTCH LINKAGE



SEE SECTION 18 FOR ADJUSTMENT PROCEDURES



0654

Figure 4-1 Brake and Clutch Linkage

SECTION 4 - BRAKE AND CLUTCH LINKAGE

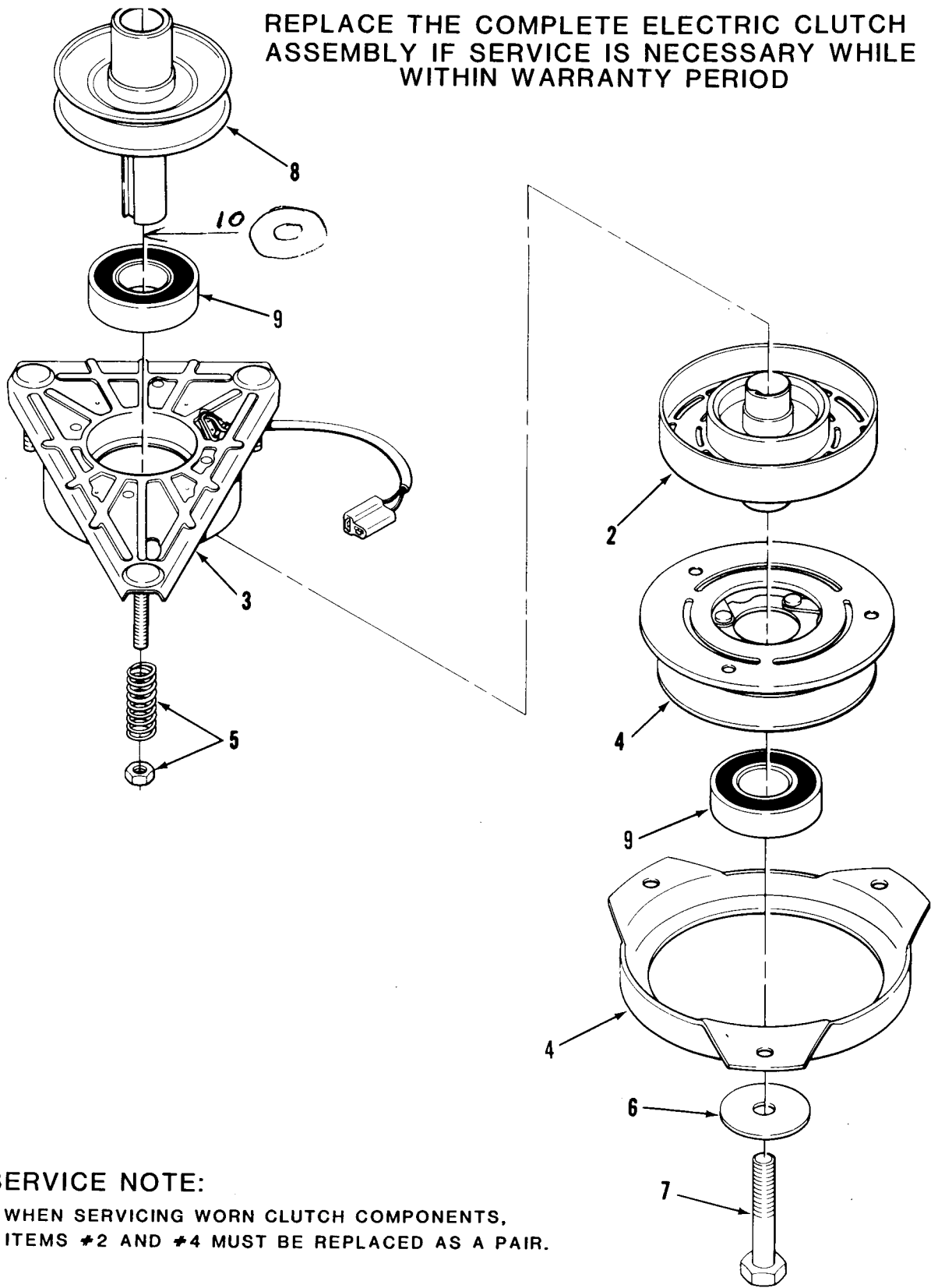
ITEM	PART NUMBER	DESCRIPTION	Quantity
		Figure 4-1	
		BRAKE AND CLUTCH LINKAGE - Mechanical Transmission	
1	111436	Clutch/Brake Pedal	1
2	111437	Pedal Shaft	1
3	106288	Shaft Clamp	2
4	110015	Spacer	1
5	111712	Wave Washer	1
6	112984	Lock Rod	1
7	111439	Grip	1
8	114859	Idler Arm	1
9	111418	Eccentric Bushing	1
10	111419	Washer	1
11	111420	Grease Fitting 45°	1
12	113129	Clutch/Brake Rod	1
13	111442	Idler Pulley	1
14	111443	Belt Guide	1
15	104525	Spacer	1
17	111445	Brake Spring (9.75")	1
18	111446	Clutch Spring (7.88")	1
19	915662	E.S. Hex Nut 5/16-18	4
20	900037	Carriage Bolt 5/16-18 x 3/4	4
21	932025	Cotter Pin 5/32 x 1	1
22	920215	Washer	1
23	932008	Cotter Pin 3/32 x 3/4	3
24	920008	Washer 5/16 SAE	3
25	900064	Carriage Bolt 3/8-16 x 1-1/4	1
26	915663	E.S. Hex Nut 3/8-16	2
27	908038	HHCS 3/8-16 x 2	1
28	920009	Washer 3/8 SAE	2
29	116150	Extension Spring	1

SECTION 4 - HYDROSTATIC TRANSAXLE BRAKE AND CLUTCH LINKAGE

ITEM	PART NUMBER	DESCRIPTION	Quantity
Figure 4-2			
HYDROSTATIC TRANSAXLE BRAKE AND IDLER LINKAGE			
1	114418	Brake Pedal	1
2	111437	Pedal Shaft	1
3	106288	Shaft Clamp	2
4	110015	Spacer	1
5	111712	Wave Washer	1
6	114705	Lock Rod	1
7	111070	Knob	1
8	114034	Idler Arm	1
9	111418	Eccentric Bushing	1
10	111419	Washer	1
11	111420	Grease Fitting 45°	1
12	114707	Brake Rod	1
13	111442	Flat Idler Pulley	1
14	109444	V-Idler Pulley	1
17	102572	Idler Spring (4.93")	1
19	915662	E.S. Hex Nut 5/16-18	4
20	900037	Carriage Bolt 5/16-18 x 3/4	4
21	932025	Cotter Pin 5/32 x 1	1
22	920215	Washer	1
23	932008	Cotter Pin 3/32 x 3/4	3
24	920008	Washer 5/16 SAE	3
25	900064	Carriage Bolt 3/8-16 x 1-1/4	1
26	915663	E.S. Hex Nut 3/8-16	3
27	900237	Carriage Bolt 3/8-16 x 2-1/4	2
28	920039	Washer 3/8 US	1

SECTION 5 - ENGINE PULLEY AND PTO CLUTCH

REPLACE THE COMPLETE ELECTRIC CLUTCH ASSEMBLY IF SERVICE IS NECESSARY WHILE WITHIN WARRANTY PERIOD



SERVICE NOTE:

WHEN SERVICING WORN CLUTCH COMPONENTS, ITEMS #2 AND #4 MUST BE REPLACED AS A PAIR.



0735

Figure 5-1 Engine Pulley & PTO Clutch

SECTION 5 - ENGINE PULLEY AND PTO CLUTCH

ITEM	PART NUMBER	DESCRIPTION	Quantity
Figure 5-1			
ENGINE PULLEY AND PTO CLUTCH			
	113426	Electric Clutch Assy (includes items 2, 3, 4 & 5)	1
2	113820	Rotor Assy	1
3	113821	Field Assy (includes one of item 9)	1
4	114570	Armature and Pulley Assy (includes one of item 9 and Brake Plate)	1
5	113823	Springs & Nuts	3
6	112843	Washer	1
7	112853	Bolt M10×1.50 × 120. (212-HSB, 212-H)	1
	115203	HHCS M10 × 1.50 × 110 ESL (212-5SB, 212-5)	1
8	112858	Engine Pulley (212-HSB, 212-H)	1
	112857	Engine Pulley (212-5SB, 212-5)	1
9	114064	Ball Bearing	2
10	114271	Washer	1

VERVANG DOOR :

- { 911446 HHCS 7/16 - 20 X 4 3/4 - 6 (212-5, 212-H, 212-HSB)
- { 911447 HHCS 7/16 - 20 x 4 1/4 - 6 (212-5SB)

SECTION 6 - ENGINE, FUEL & EXHAUST SYSTEMS

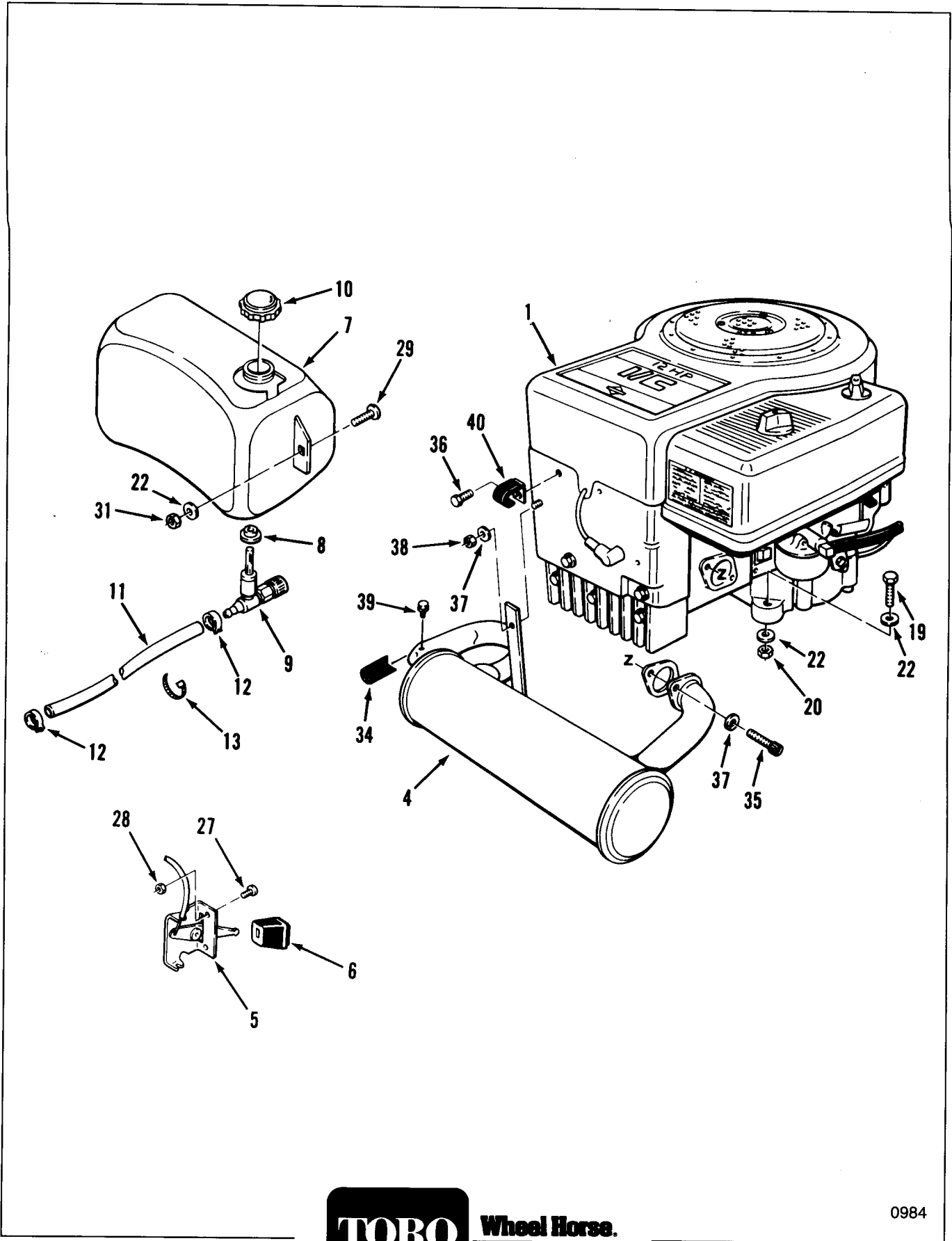


Figure 6-1 Engine, Fuel & Exhaust Systems

SECTION 6 - ENGINE, FUEL & EXHAUST SYSTEMS

ITEM	PART NUMBER	DESCRIPTION	Quantity
Figure 6-1			
ENGINE, FUEL & EXHAUST SYSTEMS			
1	118380	Engine - 12HP - B & S Model 281707, Type 0217-02	X
4	116707	Muffler	1
5	115788	Choke/Throttle Control	1
6	116454	Knob	1
7	111473	Fuel Tank	1
8	104047	Bushing	1
9	104048	Valve	1
10	111474	Gas Cap	1
11	112442	Fuel Line 22"	1
12	108898	Hose Clamp	2
13	100571	Cable Tie	1
19	908022	Bolt 5/16-18 x 1 3/4	4
20	915662	E.S. Nut 5/16-18	5
22	920008	Washer 5/16 SAE	4
27	910792	Pan Hd Cross Recess Screw # 10-24	2
28	915740	E.S. Hex Nut # 10-24	2
29	900037	Carriage Bolt 5/16-18 x 3/4	2
31	915662	E.S. Hex Nut 5/16-18	2
34	115356	Spark Arrestor	1
35	911066	Socket Allen Hd. Screw 5/16-18 x 5/8	2
36	908016	Bolt 5/16-18 x 5/8	2
37	920824	Lock Washer 5/16	3
38	915112	Eslock Nut 5/16-18	1
39	911652	Screw # 8-15 x 1/2	1

SECTION 7 - ELECTRICAL SYSTEM

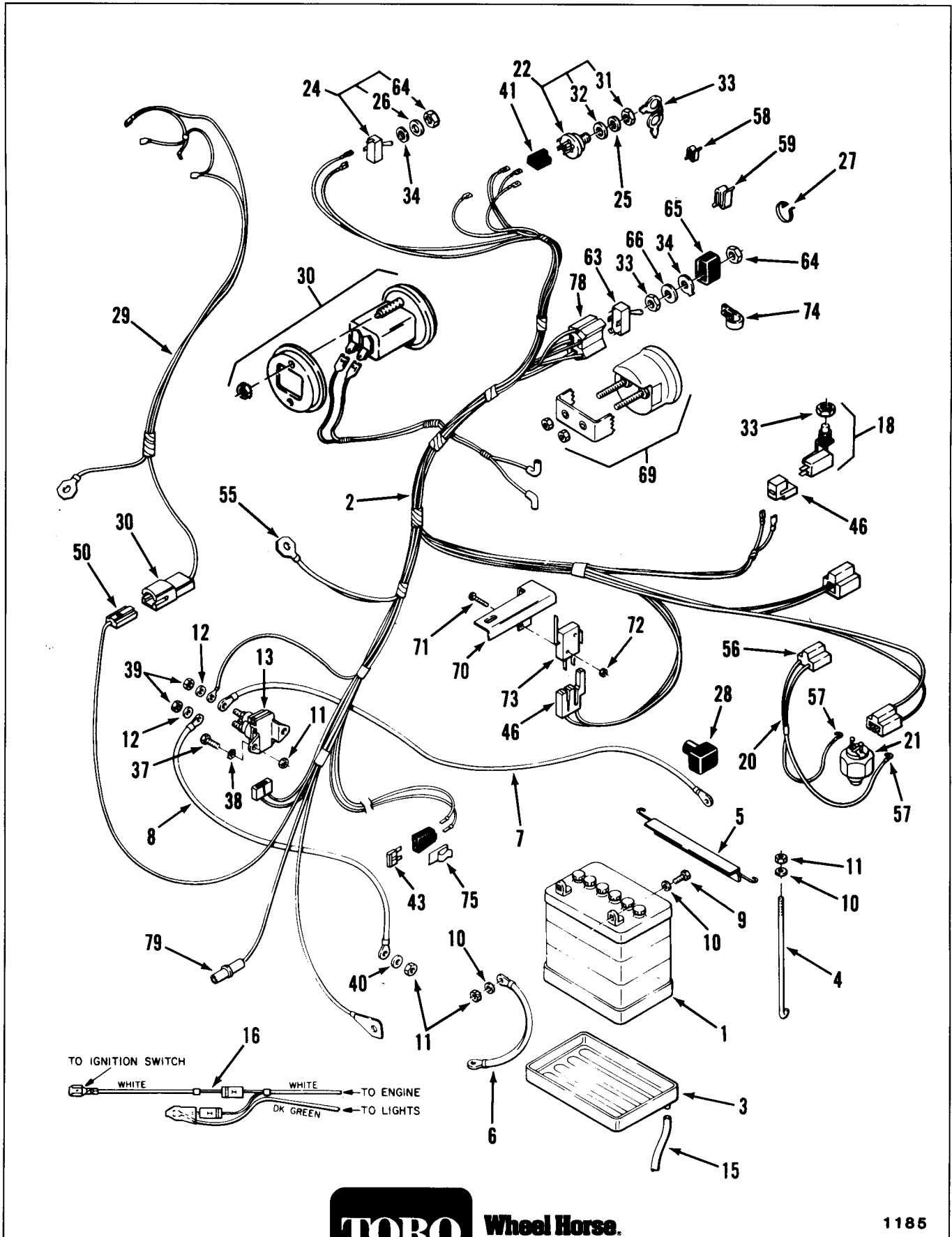


Figure 7 -1 Electrical System

SECTION 7 - ELECTRICAL SYSTEM

ITEM	PART NUMBER	DESCRIPTION	Quantity
Figure 7-1			
ELECTRICAL SYSTEM			
1	104962	Battery - 24 amp hour	1
2	118630	Wiring Harness 212-H, 212-HSB	1
	118640	Wiring Harness 5-spd	1
3	106948	Battery Tray	1
4	109547	Hook	2
5	117316	Battery Angle	1
6	111078	Wire (10" Battery to Ground)	1
7	111076	Wire (14")	2
8	111682	Wire (17.5" Solenoid to Starter)	1
9	908003	Bolt 1/4-20 x 3/4	2
10	920007	Washer 1/4 SAE	6
11	116497	Nut 1/4-20	5
12	920081	Lock Washer 1/4	2
13	110167	Solenoid	1
15	114721	Battery Drain Tube	1
16	113977	Diode Kit	1
18	114240	Seat Switch	1
20	111364	Wiring Harness - Transmission Neutral Switch (not used on 212-H, 212-HSB)	1
21	111365	Transmission Neutral Switch (not used on 212-H, 212-HSB)	1
22	111215	Ignition Switch (Includes Items 31 & 32)	1
23	116738	Ignition Key (set of 2)	1
24	102138	Light Switch (includes items 33 & 34)	1
25	920262	Special Washer	1
26	920259	Special Washer	1
27	100571	Cable Tie	1
28	109553	Battery Terminal Cover	2
29	115393	Headlight Harness	1
31	101884	Switch Nut	1
32	920160	Internal Tooth Lockwasher	1
33	105805	Special Nut	2
34	102950	Tab Washer	2
37	960151	Bolt 1/4 - 20 x 1/2	2
38	920122	External Tooth Lockwasher 1/4	2
39	915234	Jam Nut 1/4 - 20	2
40	920081	Lockwasher 1/4	2
41	105302	5-Terminal Connector (part of item 2)	1
43	109355	15 Amp ATO Fuse	1
	109102	25 Amp ATO Fuse	1
46	111498	Connector Body (part of item 2)	1
47	109357	2-Terminal Connector (part of item 2)	2
48	113131	Long Male Terminal .250 x .052	1
49	117142	Fuse Holder	1

SECTION 7 - ELECTRICAL SYSTEM

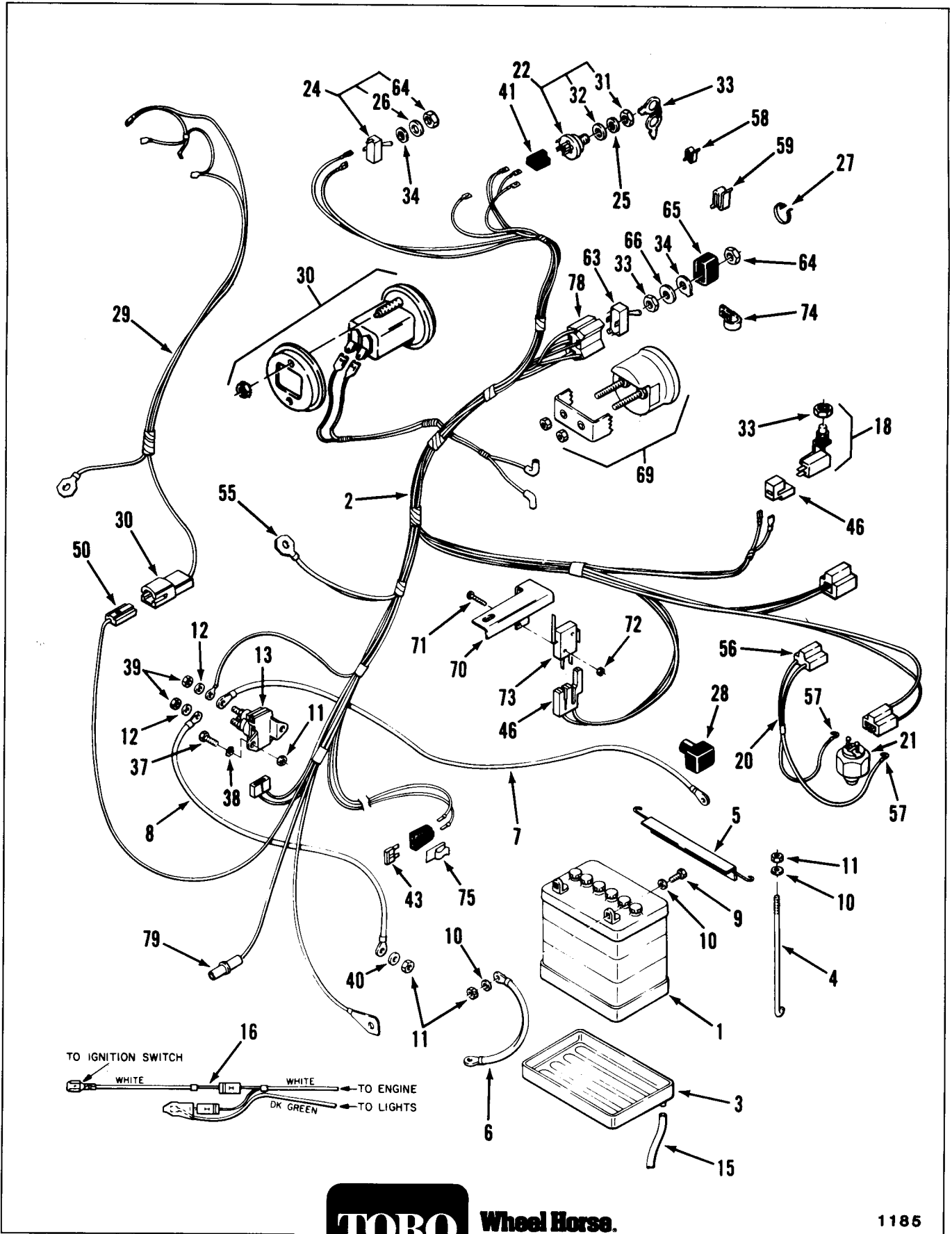
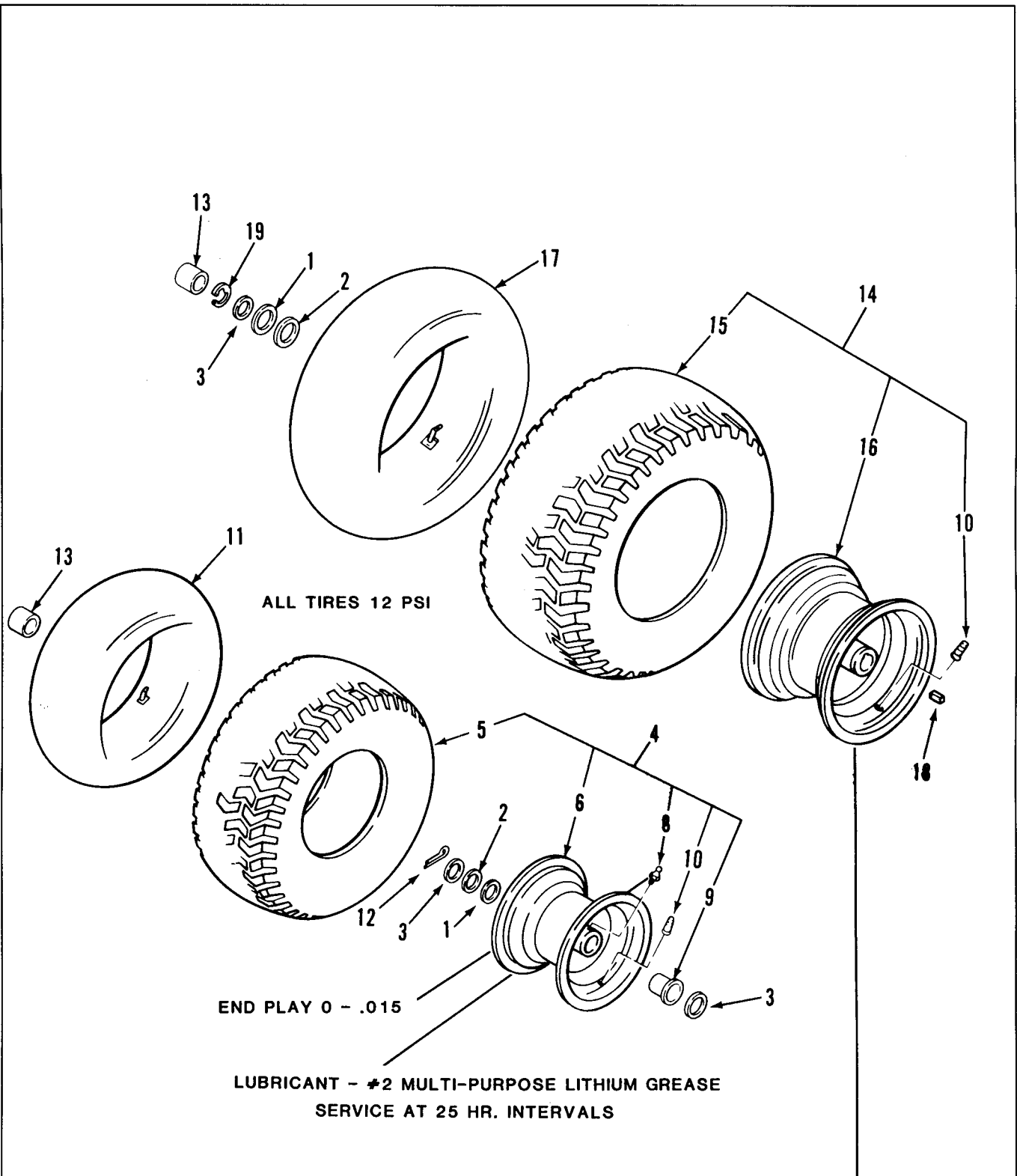


Figure 7 -1 Electrical System

SECTION 7 - ELECTRICAL SYSTEM

ITEM	PART NUMBER	DESCRIPTION	Quantity
Figure 7-1 ELECTRICAL SYSTEM (CONT'D)			
50	104926	Connector Body	2
56	110459	Connector Body (part of item 20)	1
57	105306	Female Terminals (part of item 20)	2
58	8830	Clip	1
59	3023	Clip	6
63	116716	Electric Clutch Switch (includes items 33, 34 & 64)	1
64	113179	Face Nut	2
65	113050	PTO Switch Cover	1
66	920242	Spacer	1
69	117176	Voltmeter (includes 109650 Clamp & 5924 # 10-32 Nut (2)	1
70	114437	Bracket	1
71	910948	Screw # 4-40 x 3/4	2
72	915732	Elast Nut # 4-40	2
73	111332	Switch 212-H, 212-HSB	1
	116397	Switch 212-5, 212-5SB	1
74	105490	Clamp	1
75	109445	Fuse Clip Holder Mounting Clip	1
78	105303	5 Terminal Connector	1
79	518075	Socket Connector	1

SECTION 8 - WHEELS AND TIRES



ANTI-RUST COMPOUND TEXACO CODE 1976 "L" LIGHT OR EQUIVALENT, ON AXLES



Figure 8-1 Wheels and Tires

SECTION 8 - WHEELS AND TIRES

ITEM	PART NUMBER	DESCRIPTION	Quantity
Figure 8-1			
WHEELS AND TIRES			
1	5210	Shim Washer .015	X
2	1278	Shim Washer .050	X
3	109262	Special Washer Hubcap 1 5/16 OD	4
4	116883	Front Wheel and Tire 15 × 6.00-6 (includes items 6, 8, 9 & 10) 212-H, 212-HSB	2
	117129	Front Wheel & Tire 212-5SB	2
5	117132	Front Tire 15 × 6.00-6 - 212-5SB	2
	116884	Front Tire 15 × 6.00-6 - 212-H, 212-HSB	2
6	114014	Front Wheel Assy (includes Wheel w/items 8, 9 & 10) 212-5, 212-H, 212-HSB	2
	117130	Front Wheel 212-5SB (includes Wheel w/items 8, 9 & 10)	2
8	109500	Grease Fitting	2
9	116887	Bearing	2
10	5108	Valve Stem	4
11	100079	Front Tube-Service Only	X
12	932026	Cotter Pin 5/32 × 1-1/4	2
13	109261	Hubcap-Black-Front (not used on 212-H)	2
	109154	Hubcap-Black-Rear (not used on 212-H)	2
14	117395	Rear Wheel and Tire 212-5SB	2
	116892	Rear Wheel and Tire 212-H, 212-HSB, 212-5	2
15	116880	Rear Tire 212-H, 212-HSB, 212-5	2
	116867	Rear Tire 212-5SB	2
16	116893	Rear Wheel 212-H, 212-HSB	2
	117134	Rear Wheel 212-5SB	2
17	105450	Rear Tube - Service Only	X
18	1120	Square Key 3/16 x 1 3/4 212-5SB/212-5	2
19	104636	E-Ring (not used on 212-H)	2
	2590	Straight Key 212-H (not illus.)	2
	7939	Snap Ring 212-H (not illus.)	2
	920251	Washer 1 1/2 x .05 212-H (not illus.)	4
	920252	Washer 1 1/2 x .015 212-H (not illus.)	2

SECTION 9 - SEAT AND DECALS

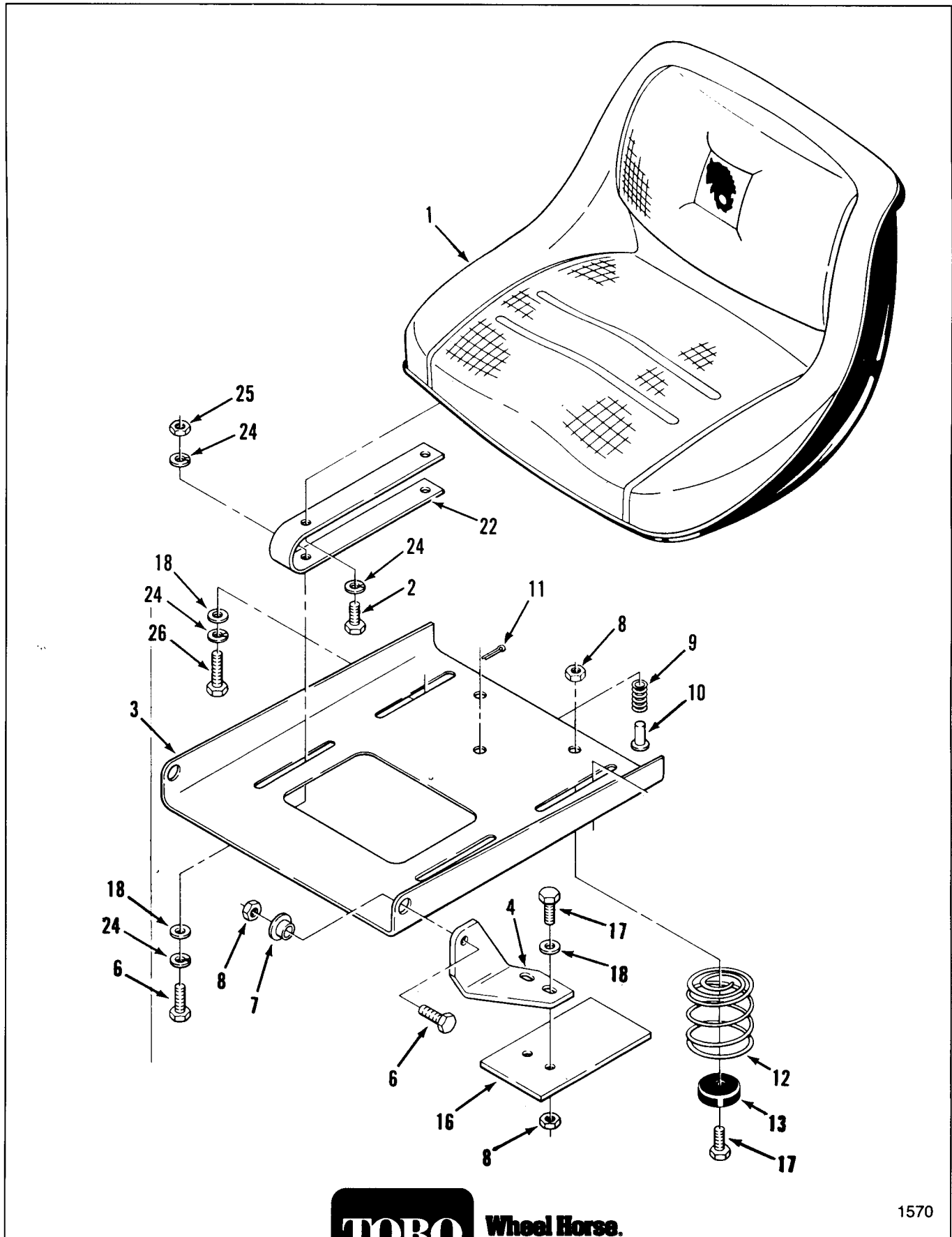


Figure 9-1 Seat & Suspension

SECTION 9 - SEAT AND DECALS

ITEM	PART NUMBER	DESCRIPTION	Quantity
Figure 9-1 SEAT AND SUSPENSION			
1	113985	Seat 212-5	1
	114894	Seat 212-5SB	1
2	908017	Bolt 5/16-18 x 3/4	4
3	113852	Seat Pivot Plate	1
4	112744	RH Pivot Bracket	1
	112745	LH Pivot Bracket	1
6	908018	Bolt 5/16-18 x 7/8	4
7	105503	Bushing	2
8	915662	E.S. Hex Nut 5/16-18	6
9	114267	Spring	2
10	106449	Pin	2
11	932008	Cotter Pin 3/32 x 3/4	2
12	114268	Spring-Lifter	2
	114269	Spring-Lifter 212-5 SB	2
13	108889	Bumper	2
16	112961	Plate	2
17	908019	Bolt 5/16-18 x 1	4
18	920008	Washer 5/16 SAE	6
22	112837	Seat Spring	2
24	920082	Lockwasher 5/16	4
25	915112	Hex Nut 5/16-18	4
26	908020	Bolt 5/16-18 x 1-1/4	2
	114496	Nylon Spring - Not illustrated	2
	144497	Nylon Spring 212-5 SB - Not illustrated	2
	900214	Bolt 5/16-18 x 3/4 - Not illustrated	4
	920155	Lock Washer 5/16 - Not illustrated	4

SECTION 9 - SEAT AND DECALS

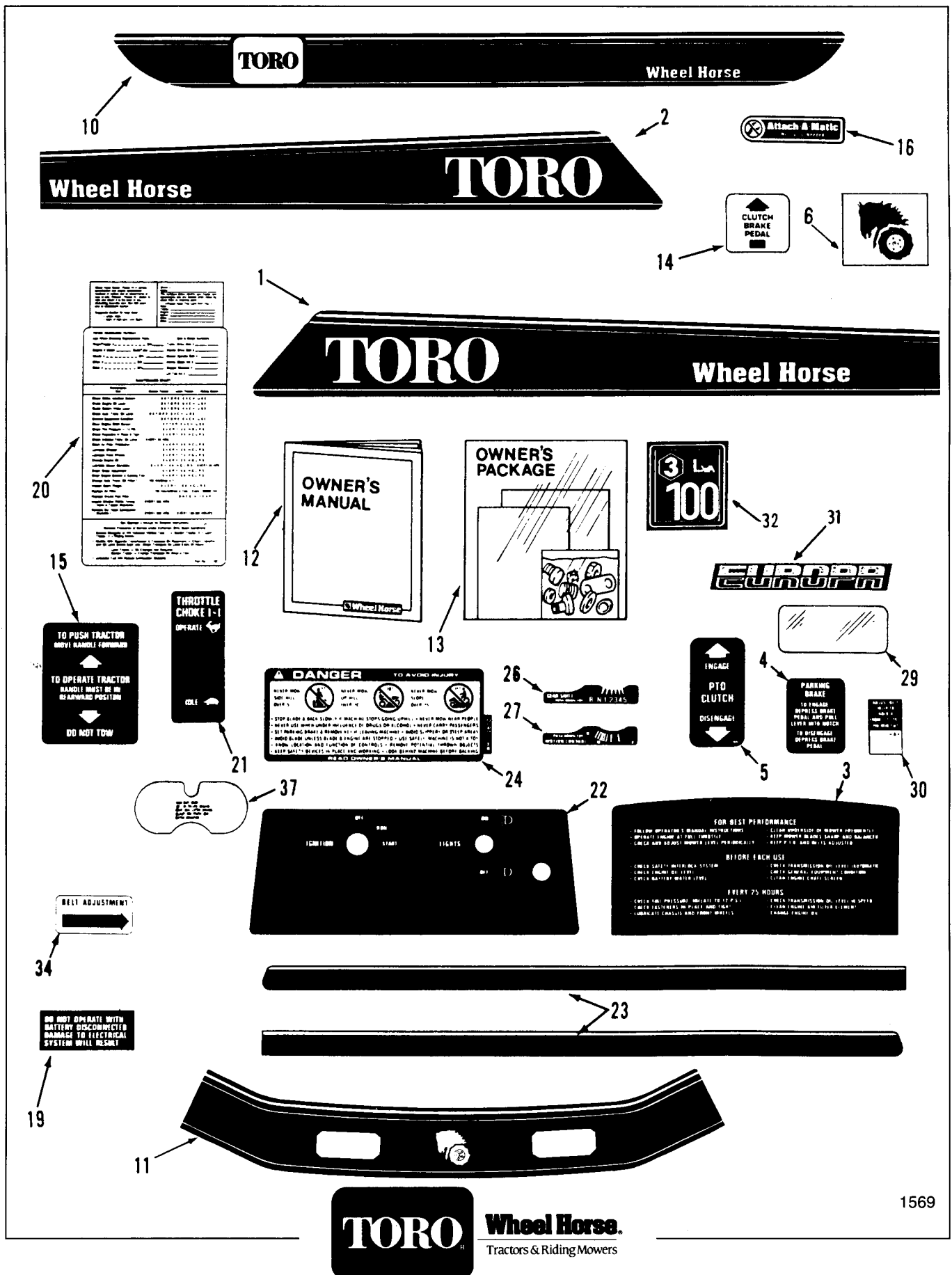


Figure 9-2 Decals, Miscellaneous

SECTION 9 - SEAT AND DECALS

ITEM	PART NUMBER	DESCRIPTION	Quantity
Figure 9-2			
DECALS, MISCELLANEOUS			
1	117472	Decal - Hood RH 212-H	1
	117466	Decal - Hood RH 212-5SB	1
	117464	Decal - Hood RH 212-HSB	1
	117474	Decal - Hood RH 212-5	1
2	117473	Decal - Hood LH 212-H	1
	117467	Decal - Hood LH 212-5SB	1
	117465	Decal - Hood LH 212-HSB	1
	117475	Decal - Hood LH 212-5	1
3	116590	Decal - Rear Hood	1
	88158	Decal - Rear Hood German	1
	88106	Decal - Rear Hood French	1
	88107	Decal - Rear Hood Dutch	1
4	111327	Decal - Parking Brake	1
	88129	Decal - Parking Brake German	1
	88130	Decal - Parking Brake French	1
	88131	Decal - Parking Brake Dutch	1
5	112845	Decal - PTO Clutch	1
	88136	Decal - PTO Clutch Symbol	1
6	116640	Decal - Horse Head	1
10	117760	Decal - Rear Fender	1
11	116874	Decal - Front Hood	1
12		Owner's Manuel-Tractor	X
13	807281	New Tractor Loose Parts Package 212-5SB	1
	807280	New Tractor Loose Parts Package 212-5	1
	807278	New Tractor Loose Parts Package 212-H	1
	807279	New Tractor Loose Parts Package 212-HSB	1
14	111632	Decal - Clutch & Brake (not used on 212-H)	1
	79242	Decal - Clutch & Brake German	1
	79234	Decal - Clutch & Brake French	1
	88124	Decal - Clutch & Brake Dutch	1
15	114442	Decal - Push 212-H	1
	88061	Decal - Push German	1
	88058	Decal - Push French	1
	88062	Decal - Push Dutch	1
16	115196	Decal - Attach-a-Matic	1
	88160	Decal - Attach-a-Matic German	1
	88161	Decal - Attach-a-Matic French	1
	88162	Decal - Attach-a-Matic Dutch	1
19	111926	Decal - Electrical System	1
	88121	Decal - Electrical System German	1
	88122	Decal - Electric System French	1
	88123	Decal - Electric System Dutch	1

SECTION 9 - SEAT AND DECALS

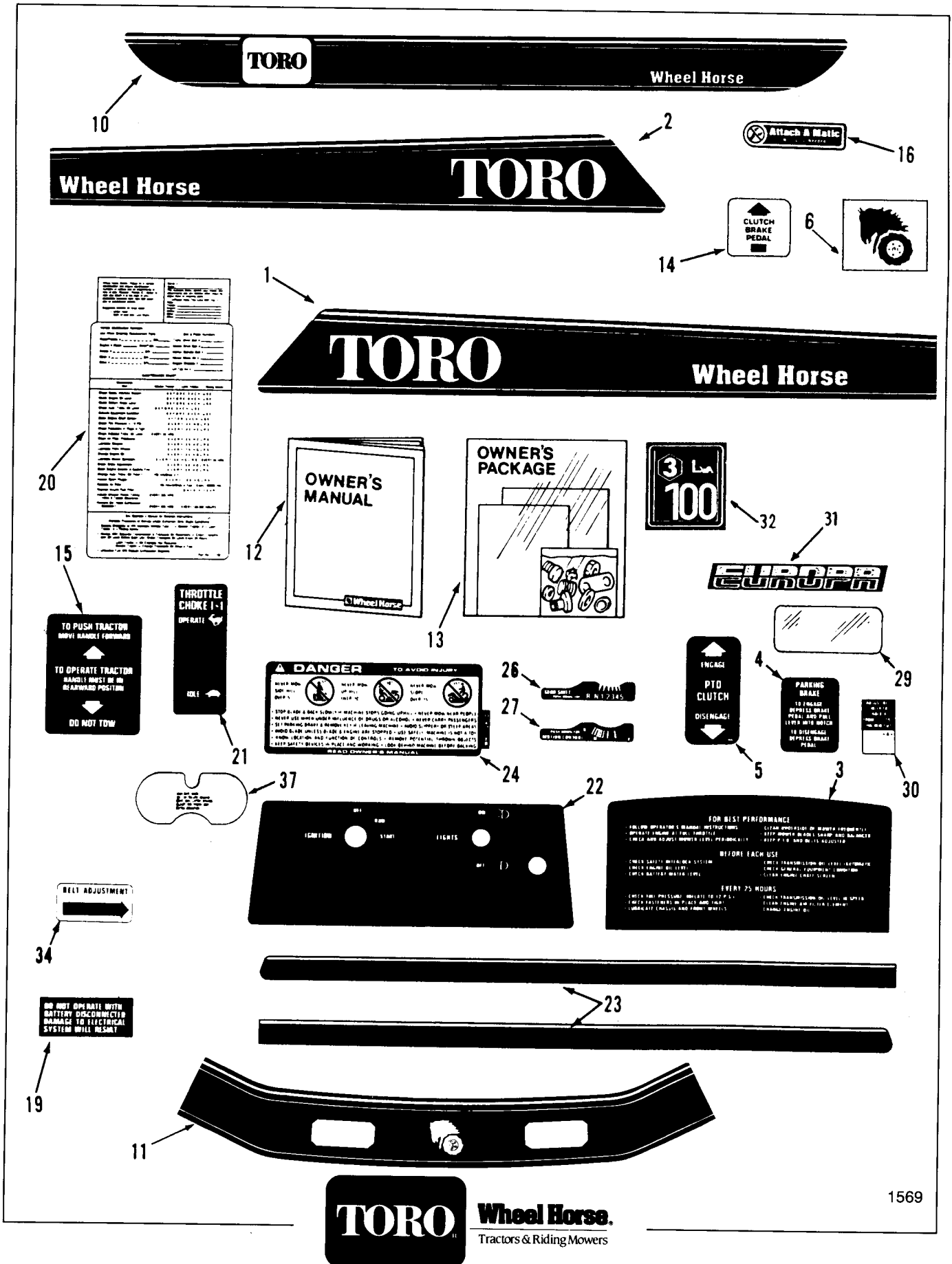
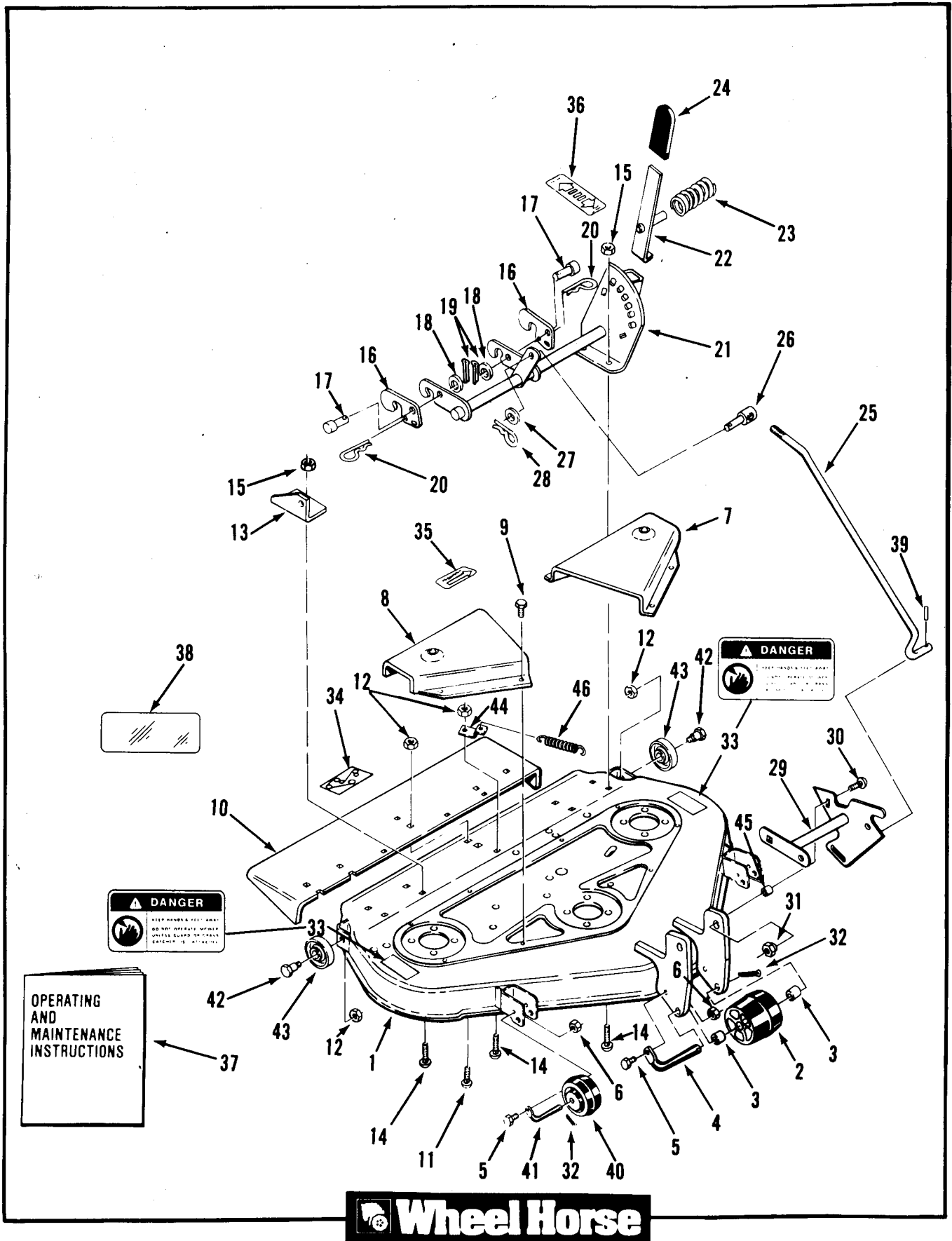


Figure 9-2 Decals, Miscellaneous

SECTION 9 - SEAT AND DECALS

ITEM	PART NUMBER	DESCRIPTION	Quantity
Figure 9-2 DECALS, MISCELLANEOUS (CONT'D)			
20	115398	Decal - Maintenance	1
	88064	Decal - Maintenance German	1
	88063	Decal - Maintenance French	1
	88065	Decal - Maintenance Dutch	1
21	111706	Decal - Throttle	1
	88096	Decal - Throttle Symbol	1
22	112924	Decal - Back Plate	1
	88133	Decal - Back Plate Symbol	1
23	112384	Decal - Hood Stripe RH	1
	112385	Decal - Hood Stripe LH	1
24	112670	Decal - Danger	1
	88093	Decal - Danger German	1
	88094	Decal - Danger French	1
	88095	Decal - Danger Dutch	1
26	114944	Decal - Shift 5 Speed	1
	88099	Decal - Shift 5-Speed Symbol	1
27	114051	Decal - Shift Auto	1
	88139	Decal - Shift Auto Symbol	1
29	112403	Decal - VIN Overlay	1
30	113370	Decal - PTO Adjustment	1
	88102	Decal - PTO Adjustment German	1
	88103	Decal - PTO Adjustment French	1
	88104	Decal - PTO Adjustment Dutch	1
31	111342	Decal - Europa	2
32	114621	Decal - Europe Noise	1
34	112161	Decal - Belt Adjustment 212-5SB	1
	88059	Decal - Belt Adjustment German	1
	88060	Decal - Belt Adjustment French	1
	88057	Decal - Belt Adjustment Dutch	1
37	114297	Decal - Seat Lifter	1
	88111	Decal - Seat Lifter German	1
	88112	Decal - Seat Lifter French	1
	88113	Decal - Seat Lifter Dutch	1

REAR DISCHARGE MOWER - 36 in.(92 cm)
 VEHICLE IDENTIFICATION NUMBER E5-36RL01

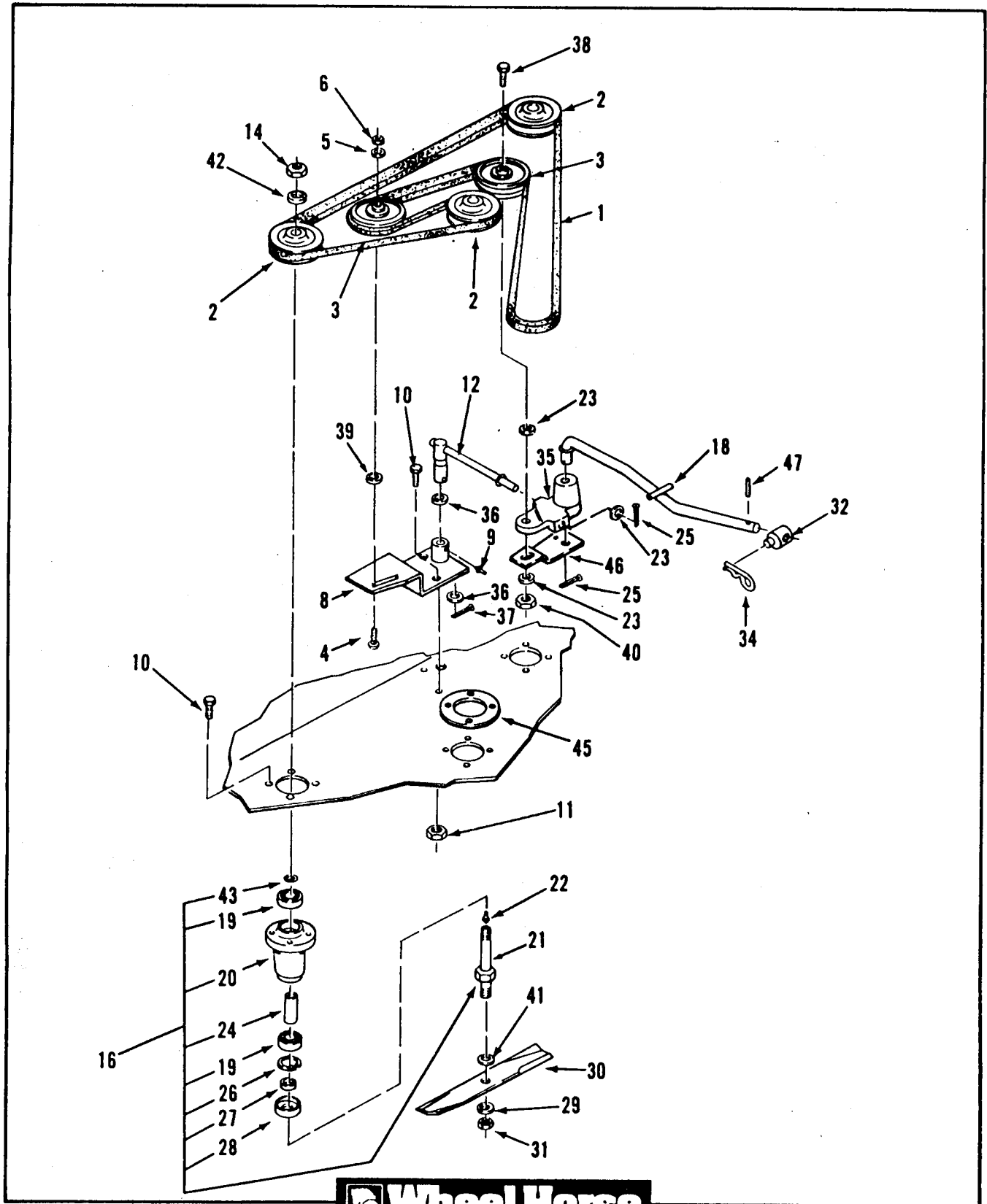


REAR DISCHARGE MOWER - 36 in. (92cm)
 VEHICLE IDENTIFICATION NUMBER E5-36RL01

Parts available only through Authorized Dealers.
 When ordering parts always list Part No. and Description.
 (Specifications subject to change without notices.)

ITEM NO.	PART NO.	DESCRIPTION	NO. REQ'D
1	112990	Mower Deck.....	1
2	108798	Roller.....	1
3	113046	Spacer.....	2
4	113045	Roller Shaft.....	1
5	908003	Bolt 1/4-20 x 3/4.....	3
6	915661	E.S. Nut 1/4-20.....	3
7	111597	L.H. Belt Cover.....	1
8	111596	R.H. Belt Cover.....	1
9	926671	S.T. Screw 1/4-20 x 1/2.....	6
10	106480	Chute Extension.....	1
11	900062	Carriage Bolt 3/8-16 x 3/4.....	4
12	915663	E.S. Nut 3/8-16.....	7
13	111598	Bracket.....	1
14	900063	Carriage Bolt 3/8-16 x 1.....	4
15	915663	E.S. Nut 3/8-16.....	4
16	111569	Latch.....	2
17	932960	Clevis Pin 3/8 x 5/8.....	2
18	920237	Washer 25/32 x 5/8.....	2
19	932008	Cotter Pin.....	2
20	933505	Hairpin Cotter.....	2
21	112972	Height Adjustment Assy.....	1
22	110418	Lever.....	1
23	101853	Spring.....	1
24	102597	Grip.....	1
25	113083	Rod.....	1
26	7736	Trunnion.....	1
27	920009	Washer 3/8.....	1
28	933505	Hairpin Cotter.....	1
29	113015	Lift Arm.....	1
30	900234	Carriage Bolt 3/8-16 x 1.....	2
31	102809	Flange Locknut.....	2
32	932034	Cutter Pin 3/16 x 1.....	1
33	111188	Decal - Danger.....	2
34	111665	Decal - Belt Guide.....	1
35	112161	Decal - Belt Adjustment.....	
36	111655	Decal - Height Adjustment.....	1
38	112403	Decal - VIN Overlay.....	1
39	933268	Spirol Pin.....	1
40	111173	Roller.....	2
41	111174	Roller Shaft.....	2
42	113165	Shoulder Bolt.....	2
43	112962	Gage Wheel.....	2
44	112883	Spring Anchor.....	1
45	102704	Spacer.....	2
46	100071	Spring.....	1

REAR DISCHARGE MOWER - 36 in. (92 cm)
VEHICLE IDENTIFICATION NUMBER E5-36RL01



 **Wheel Horse**

REAR DISCHARGE MOWER - 36 in. (92cm)
 VEHICLE IDENTIFICATION NUMBER E5-36RLO1

Parts available only through Authorized Dealers.
 When ordering parts always list Part No. and Description.
 (Specifications subject to change without notice.)

ITEM NO.	PART NO.	DESCRIPTION	NO. REQ'D
1	113169	Drive Belt (116").....	1
2	113048	V - Pulley.....	3
3	112976	Idler Pulley.....	2
4	900067	Carriage Bolt 3/8-16 x 2.....	1
5	920009	Washer 3/8 SAE.....	1
6	915663	E.S. Nut 3/8-16.....	1
8	112968	Idler Bracket.....	1
9	1481	Grease Fitting.....	1
10	908032	Bolt 3/8-16 x 3/4.....	14
11	915663	E.S. Nut 3/8-16.....	2
12	112882	Idler Arm.....	1
14	* 9150894	Jam Nut 5/8-18.....	3
16	111581	Spindle Assembly (includes items 19 thru 22, 24,26 thru 28 & 43).....	3
18	113034	Idler Rod.....	1
19	109966	Ball Bearing (Metric).....	2
20	107448	Spindle Housing.....	1
21	112675	Spindle Shaft..... 109966. Met. model	1
22	1030	Grease Fitting.....	3
23	920009	Washer 3/8.....	2
24	110088	Spacer.....	1
25	932016	Cotter Pin 1/8 x 3/4.....	2
26	936028	Internal Snap Ring.....	1
27	106068	Blade Spacer.....	1
28	106067	Spindle Cup.....	1
29	900015	Washer 3/4.....	3
30	107982	Mower Blade Kit (Set of 3).....	1
31	* 9150904	Jam Nut 3/4-16.....	3
32	6739	Trunnion.....	1
34	933505	Hairpin Cotter.....	1
35	111560	Block.....	1
36	920232	Washer.....	2
37	932018	Cotter Pin 1/8 x 1 1/4.....	1
38	908038	Eslok Bolt 3/8-16 x 2.....	1
39	106874	Square Hole Washer.....	1
40	915663	E.S. Nut 3/8-16.....	3
41	920257	Special Washer 1 1/4 in. O.D.....	3
42	920087	Lockwasher 5/8.....	3
43	971015	"O" Ring.....	1
45	106117	Spindle Plate (Center Spindle Only).....	1
46	112975	Spring Anchor.....	1
47	933152	Roll Pin 1/8 x 3/4.....	1

* "4" At end indicates free - running nut.
 DO NOT use Eslok or other type locking nut.

SECTION 10 - 30" MOWER DECK

SEE SECTION 18 FOR ADJUSTMENT PROCEDURES

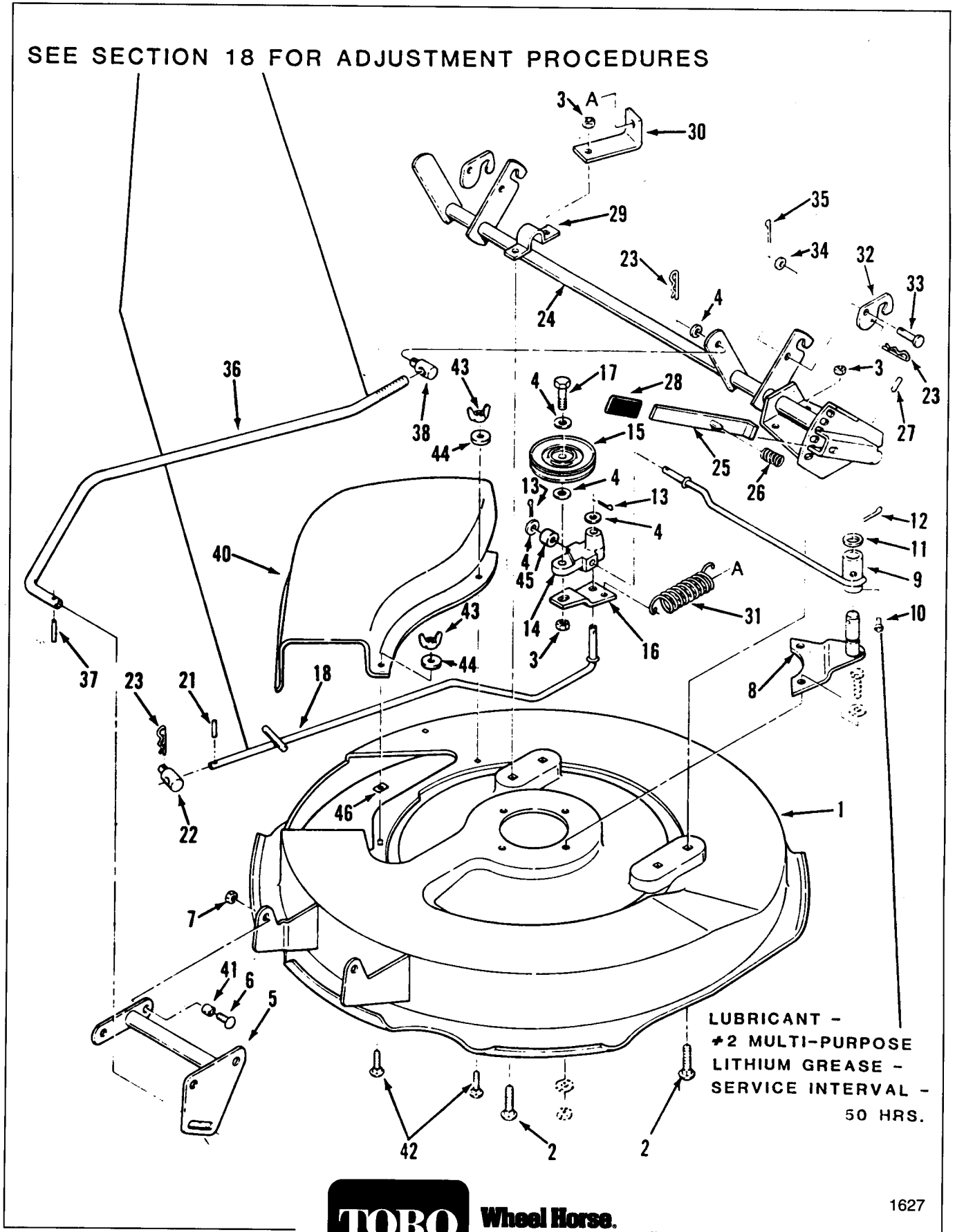


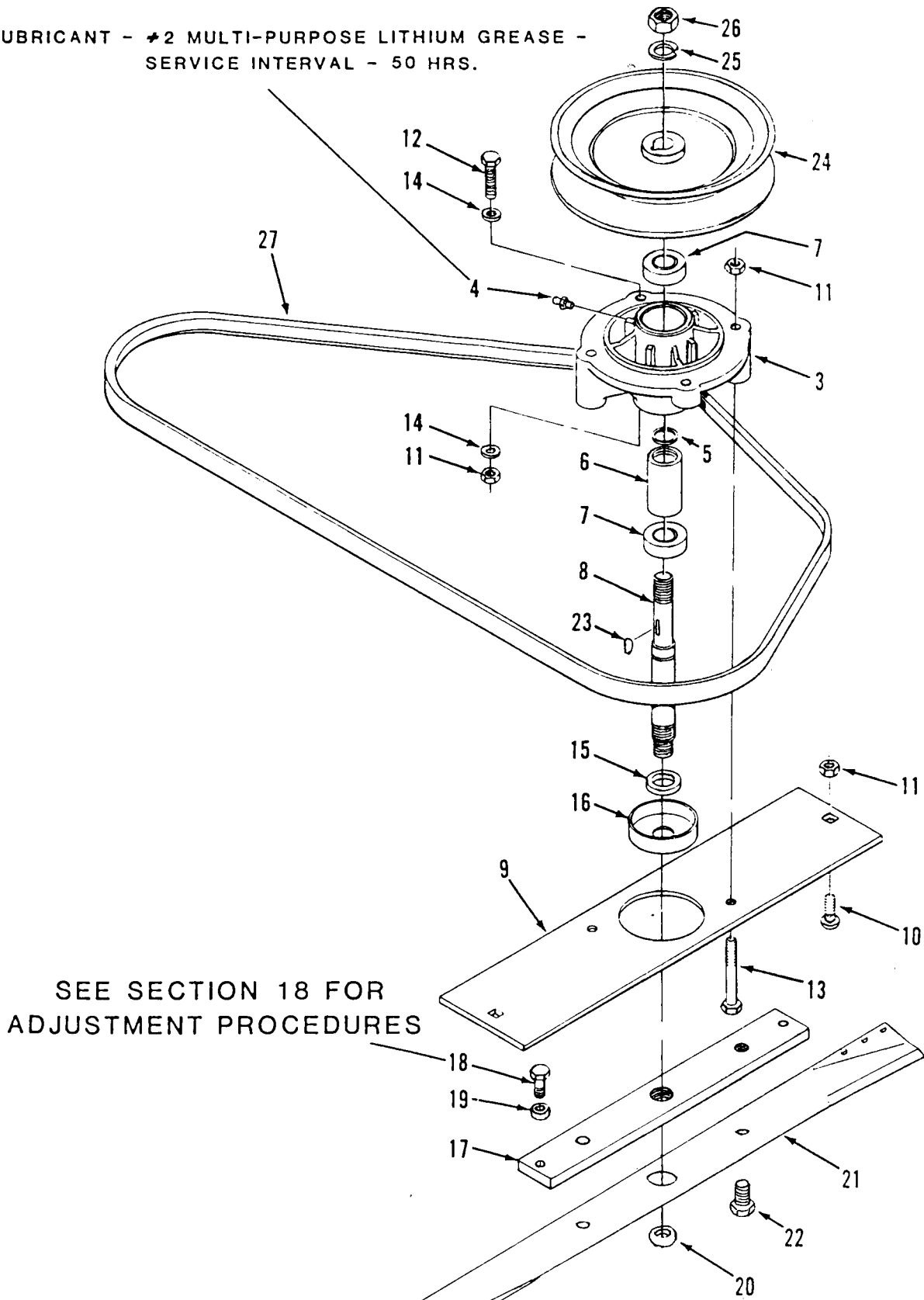
Figure 10-1 30" Mower Deck

SECTION 10 - 30" MOWER DECK

ITEM	PART NUMBER	DESCRIPTION	Quantity
Figure 10-1			
30" MOWER DECK (212-5SB, 212-HSB)			
1	113290	30" Mower Deck	1
2	900063	Carriage Bolt 3/8-16 x 1	4
3	915663	E.S. Nut 3/8-16	5
4	920009	Washer 3/8 SAE	7
5	114837	Lift Arm Assy	1
6	900234	Carriage Bolt 3/8-16 x 1	2
7	102809	Flange Locknut	2
8	113296	Idler Pivot	1
9	113315	Idler Arm	1
10	1030	Grease Fitting	1
11	920232	Washer	1
12	932018	Cotter Pin 1/8 x 1-1/4	1
13	932016	Cotter Pin 1/8 x 3/4	2
14	111560	Idler Block	1
15	113112	V-Idler Pulley	1
16	113293	Spring Anchor	1
17	908038	Bolt 3/8-16 x 2	1
18	113298	Idler Rod	1
21	933152	Roll Pin 1/8 x 3/4	1
22	6739	Lift Stud	1
23	933505	Hairpin Cotter	4
24	113314	Height Adjust Assy	1
25	110418	Lever	1
26	101853	Compression Spring	1
27	933184	Pin	1
28	102597	Grip	1
29	110841	Clamp	1
30	113287	Spring Anchor	1
31	100071	Extension Spring (5")	1
32	111569	Latch	2
33	932960	Clevis Pin 3/8 x 5/8	2
34	920237	Special Washer	2
35	932008	Cotter Pin 3/32 x 3/4	2
36	113289	Height Adjustment Rod	1
37	933268	Spirol Pin	1
38	7736	Stud Trunnion	1
40	115205	Mower Deflector	1
41	102704	Spacer	4
42	900015	Carriage Bolt 1/4-20 x 3/4	3
43	MW8756	Wing Nut	3
44	103995	Washer 1-1/4 O.D.	3
45	102704	Spacer	2
46	106535	Speed Nut	3

SECTION 10 - 30" MOWER DECK SPINDLE

LUBRICANT - #2 MULTI-PURPOSE LITHIUM GREASE -
SERVICE INTERVAL - 50 HRS.



SEE SECTION 18 FOR
ADJUSTMENT PROCEDURES



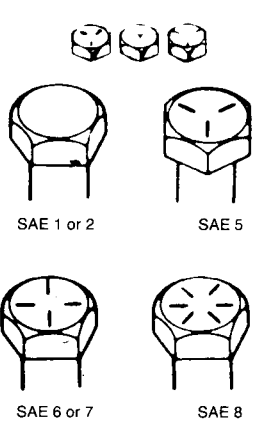
Figure 10-2 30" Mower Deck Spindle

SECTION 10 - 30" MOWER DECK SPINDLE

ITEM	PART NUMBER	DESCRIPTION	Quantity
		Figure 10-2	
		30" MOWER DECK SPINDLE (212-5SB, 212-HSB)	
	111541	Spindle Assy (includes items 3 thru 8)	1
3	111544	Spindle Housing	1
4	3796	Grease Fitting	1
5	936321	Snap Ring	1
6	111543	Tube	1
7	111135	Ball Bearing	2
8	111542	Spindle Shaft	1
9	111545	Bar	1
10	900063	Carriage Bolt 3/8-16 x 1	2
11	915663	E.S. Nut 3/8-16	6
12	908037	Bolt 3/8-16 x 1-3/4	2
13	908041	Bolt 3/8-16 x 2-3/4	2
14	920009	Washer 3/8 SAE	9
15	106068	Blade Spacer	1
16	106067	Spindle Cup	1
17	113309	Blade Bar	1
18	908033	Bolt 3/8-16 x 7/8	2
19	109779	Jam Nut	2
20	9150894*	Jam Nut	1
21	111144	Blade	1
22	911440	Bolt 1/2-13 x 3/4	2
23	937225	Hi-Pro Key	1
24	111546	Pulley	1
25	920087	Lockwasher 5/8	1
26	9150064*	Nut 5/8-18	1
27	114421	V-Belt (52.6")	1

* Indicates free running nut. DO NOT use locking type nut.

TORQUE SPECIFICATIONS

BOLT HEAD MARKINGS	BOLT BODY SIZE In - Thread	SAE GRADE 1 or 2		SAE GRADE 5		SAE GRADE 6 or 7		SAE GRADE 8	
		Torque		Torque		Torque		Torque	
		Ft-Lb	Nm	Ft-Lb	Nm	FT-Lb	Nm	Ft-Lb	Nm
<p>Manufacturer's marks may vary. Three-line markings on heads shown below, for example, indicate SAE Grade 5</p>  <p>SAE 1 or 2 SAE 5</p> <p>SAE 6 or 7 SAE 8</p>	1/4-20	5	6.8	8	10.8	10	13.6	12	16.2
	-28	6	8.1	10	13.6			14	19.0
	5/16-18	11	15.0	17	23.0	19	25.8	24	32.5
	-24	13	17.6	19	25.8			27	36.6
	3/8-16	18	24.4	31	42.0	34	46.1	44	59.7
	-24	20	27.1	35	47.5			49	66.4
	7/16-14	28	38.0	49	66.4	55	74.6	70	95.0
	-20	30	40.7	55	74.6			78	105.8
	1/2-13	39	52.9	75	101.7	85	115.2	105	142.4
	-20	41	55.6	85	115.2			120	162.7
	9/16-12	51	69.1	110	149.1	120	162.7	155	210.1
	-18	55	74.6	120	162.7			170	230.5
	5/8-11	83	112.5	150	203.3	167	226.4	210	284.7
	-18	95	128.8	170	230.5			240	325.4
	3/4-10	105	142.4	270	366.1	280	379.6	375	508.4
-16	115	155.9	295	400.0			420	569.4	
7/8- 9	160	216.9	395	535.5	440	596.6	605	820.3	
-14	175	237.3	435	589.8			675	915.2	
1- 8	235	318.7	590	799.9	660	894.8	910	1233.8	
-14	250	339.0	660	894.8			990	1342.2	

FUEL LINE

50' bulk fuel line ID .250 x OD .550 - ≠ 112570

FASTENERS

- All hex bolts GRADE 5 minimum, GRADE 8 used as noted.
- All carriage bolts GRADE 1 unless otherwise noted.
- In place of ESLOK or E.S. nuts, use LOCTITE or lock washers with free running nuts.

PAINT

- Red Enamel — 6 cans, order ≠ 8-0311
- Red Enamel — Quart can ≠ 5340 (Non-aerosol)*
- Beige Enamel — 6 cans, order ≠ 8-0321
- Black Enamel — 6 cans, order ≠ 8-0334
- Pewter metallic Enamel — 6 cans, order ≠ 8-0335
(Automotive Equivalent: 1971 Lincoln-Mercury Pewter Metallic)
- White Enamel — 6 cans, order ≠ 8-0336
- Pewter Gray Enamel — 6 cans, order ≠ 8-0337
(Automotive Equivalent: 1982 Lincoln Light Pewter)
- Silver Metallic Enamel — 6 cans, order ≠ 8-0338
- Pewter Gray Enamel — Quart can ≠ 5347 (Non-aerosol)**

* Thinning — use zylol (slow drying time) or toluol (fast drying time)

** Thin with zylol



Service Information

ONDERWERP : HARDSHIFT KIT # 119770 VOOR 200 "L" SERIES (212-...)
TRAKTOREN

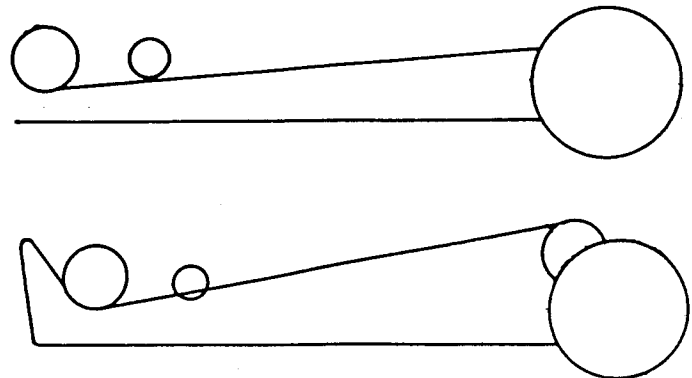
PROBLEEM Sommige tractoren in hogervermelde Serie hebben een extra riemschijf naast de motorschijf om het schakelen te vergemakkelijken. Andere tractoren in deze Serie bezitten deze schijf niet, en kunnen schakelproblemen opleveren.

OPLOSSING Met kit # 119770 wordt dit schakelprobleem opgelost. De schijf laat de riem toe bij het ontkoppelen te ontspannen.

- TE DOEN
1. Controleer of op een 200 "L" Serie traktor die dit probleem heeft de bedoelde schijf wel naast de motorschijf gemonteerd is (zie illustratie onderaan)
 2. Indien dit niet het geval is : gebruik ENKEL bijgaande bestelbon om kit # 119770 te bestellen. Vergeet niet het VIN en Serienummer te noteren van de tractoren waarvoor deze kit besteld wordt.

NOTA : in bijlage is ook een montage-instructie voor kit # 119770. BEWAREN : de kit bevat enkel Engelstalige instructies.

JOB/vvn/24/10/89





Service Information

ONDERWERP : HARDSHIFT KIT # 119770 VOOR 200 "L" SERIES (212-...) TRAKTOREN

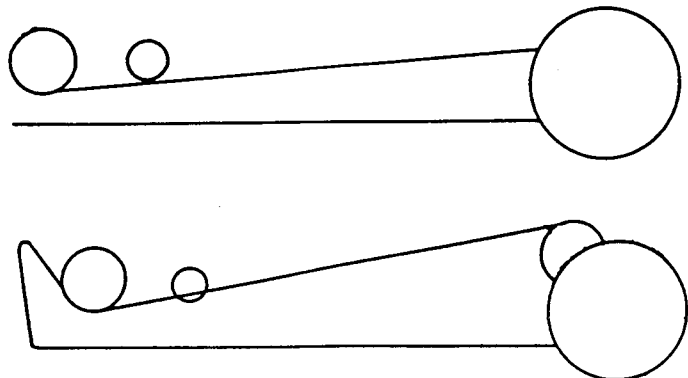
PROBLEEM Sommige tractoren in hogervermelde Serie hebben een extra riemschijf naast de motorschijf om het schakelen te vergemakkelijken. Andere tractoren in deze Serie bezitten deze schijf niet, en kunnen schakelproblemen opleveren.

OPLOSSING Met kit # 119770 wordt dit schakelprobleem opgelost. De schijf laat de riem toe bij het ontkoppelen te ontspannen.

TE DOEN

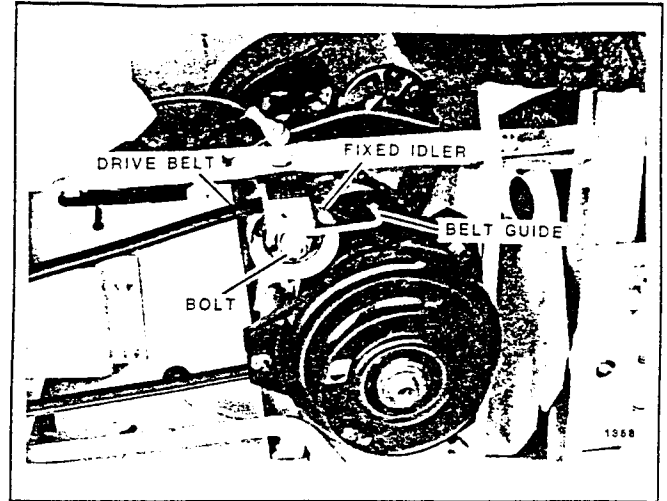
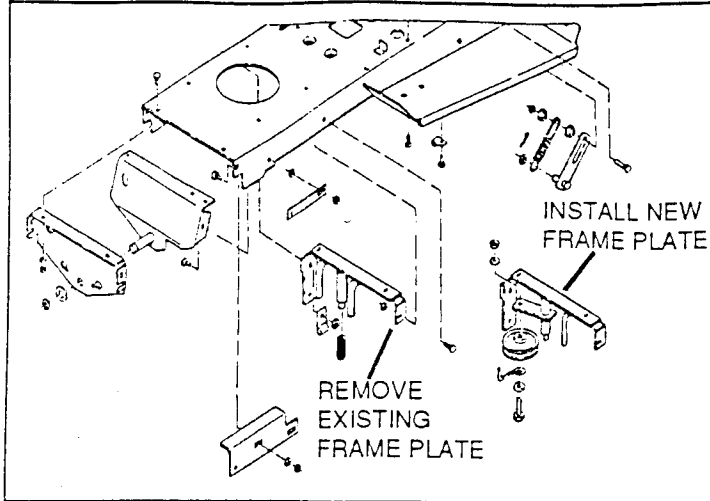
1. Controleer of op een 200 "L" Serie tractor die dit probleem heeft de bedoelde schijf wel naast de motorschijf gemonteerd is (zie illustratie onderaan)
2. Indien dit niet het geval is : gebruik ENKEL bijgaande bestelbon om kit # 119770 te bestellen. Vergeet niet het VIN en Serienummer te noteren van de tractoren waarvoor deze kit besteld wordt.

NOTA : in bijlage is ook een montage-instructie voor kit # 119770. BEWAREN : de kit bevat enkel Engelstalige instructies.



JOB/vvn/24/10/89

MONTAGEINSTRUKTIES VOOR HARDSHIFT KIT # 119770



1. Transmissieaandrijfriem verwijderen en wegwerpen.
2. Gemonteerde frameplaat van frame verwijderen.
3. Nieuwe frameplaat (# 114851) monteren.
4. Nieuwe riemschijf (# 110370) en riem retainer op frame monteren met bijgeleverde bout, rondsels en moer.
5. Monteer nieuwe riem en regel riem retainer op 3,2 mm van de rugzijde van de riem.

Nieuwe stuknrs	Beschrijving	Hoeveelheid
114860	riem	1
109230	riemgeleider	1
110370	idler schijf	1
908038	bout 3/8-16 x 2	1
920009	rondsels 3/8	2
915663	Moer 3/8-16	1
114851	Frame plaat	1

ref.:SE8910/1010

TORO EUROPE N.V.
Att. Parts Service
Nijverheidsstraat, 5
2431 OEVEL (Westerlo)

DATE/DATUM/DATE : _____

ORDER FORM HARDSHIFT KIT 119770
BESTELFORMULIER HARDSHIFT KIT 119770
FORMULAIRE DE COMMANDE HARDSHIFT KIT 119770

COMPANY/FIRMA/SOCIETE : _____
ADRESS/ADRES/ADRESSE : _____

TRACTOR/TRACTEUR
VIN SER.NR.
---- -----

Total quantity : AT NO CHARGE
Totale hoeveelheid : ___ x #119770 GRATIS
Quantité totale : GRATUIT

Company Stamp + Signature
Firmastempel + handtekening
Tampon + signature

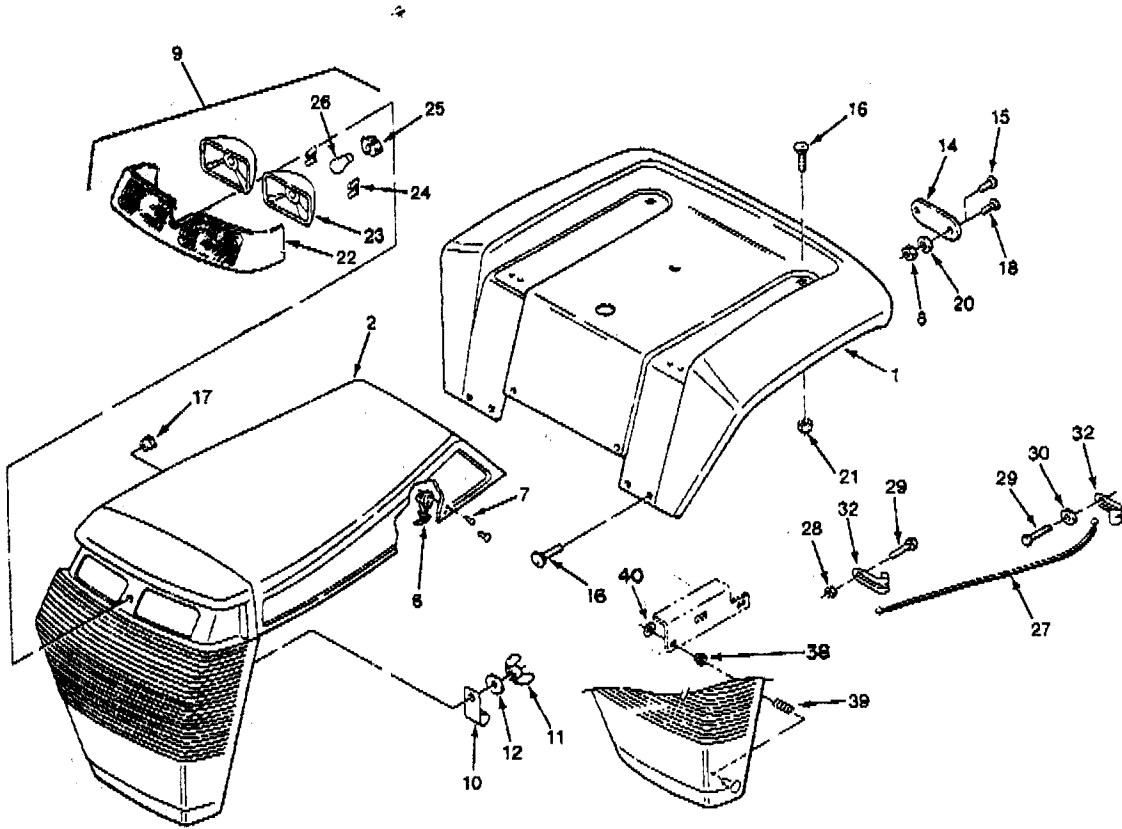
cc.: JOB



MODEL NO. R212OE02-2000001 & UP
 MODEL NO. R212O502-2000001 & UP

PARTS
 CATALOG

WHEEL HORSE® TPP
 200 SERIES LAWN TRACTOR



C-1159

BODY ASSEMBLY

Ref. No.	Part No.	Description	No. Used
1	114389	Fender	1
2	79-3840	Hood & Grill	1
6	117344	Handle Assembly	2
7	117432	Rivet - Pop	4
8	3219-14	Nut	2
9	116591	Headlight Bar Assembly (Incl. Ref. #22-24 & 26)	1
10	111392	Clip	1
11	32103-19	Nut - Wing	1
12	103995	Washer - Special	1
14	108547	Reflector	2
15	109193	Rivet - Pop	4
16	3230-23	Bolt - Carriage	8
17	938031	Bushing	1
18	910808	Screw	4

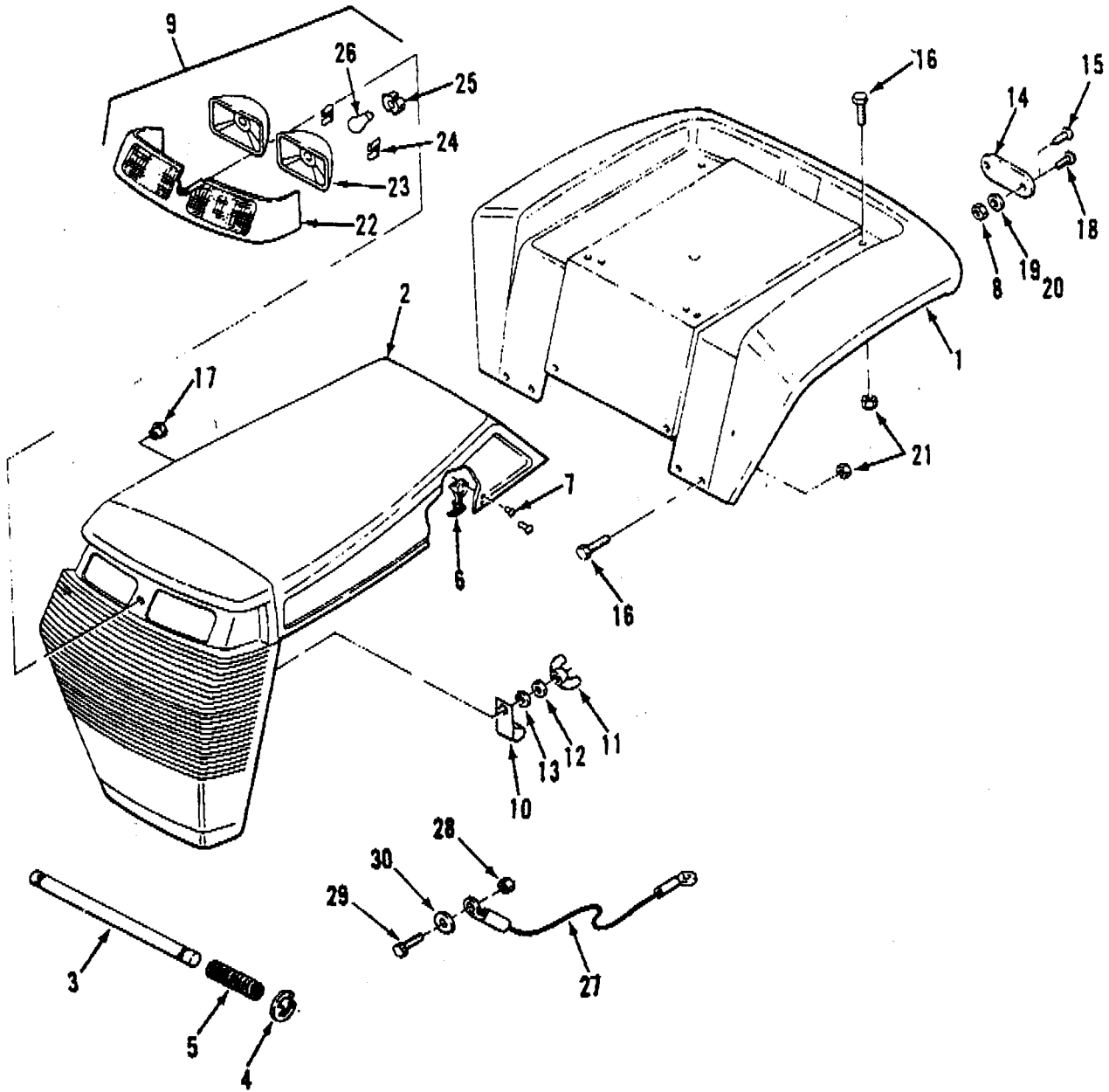
Ref. No.	Part No.	Description	No. Used
20	3253-17	Washer - Lock	4
21	3217-6	Nut - Lock	8
22	116601	Bar - Light	1
23	111684	Bucket - Light	2
24	111685	Retainer	4
25	116262	Socket - Light	2
26	7228	Bulb - Light	2
27	115414	Cable - Hook Lanyard	1
28	915740	Nut - Lock	1
29	913111	Screw - Machine	1
30	112925	Washer - Backing	1
32	115413	Clevis	2
38	5977	Bushing - Nylon	2
39	111536	Spring	2
40	79-2590	Push Nut	2

© The TORO Company - 1992

TPS

SECTION 2 - FRAME, SHEET METAL AND COVERS

BRISSES



0433

Figure 2-2 Frame, Sheet Metal and Covers



Wheel Horse

WHEEL HORSE
EUROPE BULLETIN

SE8903/1002

Service Information

LOZEMAN TUNMACHINES B.V.
Bommelseweg 64
6662 PC Elst Gld
Tel. 08819 - 71423

T.a.v. Henx

1. Klein geheugensteuntje.
Zoals u reeds weet, bestaan er 3 PGC/Tractor PTO kits, nl.

Kit nr. 116142 voor 220-4 en 222-5 tractoren
116143 voor 227-5 traktor
116144 voor 210-4 en 212-5 tractoren

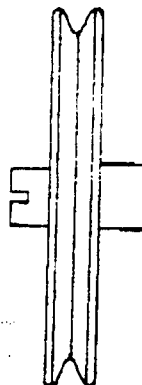
2. Sommige 116144 kits werden geleverd met de verkeerde transmissieschijven.
Om te zien of u de juiste schijf heeft, hieronder de tekeningen van de 3 verschillende schijven in de verschillende kits.

Kit nr. 116142 moet schijf nr. 116145 bevatten
Kit nr. 116143 moet schijf nr. 116121 bevatten
Kit nr. 116144 moet schijf nr. 116120 bevatten

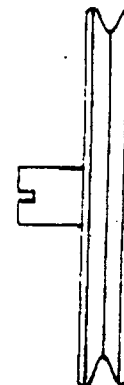
Indien u de verkeerde schijf ontving, gelieve ons te contacteren.



116121



116145



116120



Wheel Horse

WHEEL HORSE
EUROPE BULLETIN

SE8903/1002

Service Information

LOZEMAN TUINMACHINES D.V

Bommelseweg 64

6662 PC Elst Gld

Tel. 08819 - 71423

1. Klein geheugensteuntje.

Zoals u reeds weet, bestaan er 3 PGC/Tractor PTO kits, nl.

Kit nr. 116142 voor 220-4 en 222-5 tractoren

116143 voor 227-5 traktor

116144 voor 210-4 en 212-5 tractoren

2. Sommige 116144 kits werden geleverd met de verkeerde transmissieschijven.

Om te zien of u de juiste schijf heeft, hieronder de tekeningen van de 3 verschillende schijven in de verschillende kits.

Kit nr. 116142 moet schijf nr. 116145 bevatten

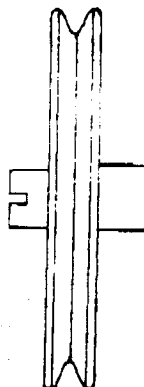
Kit nr. 116143 moet schijf nr. 116121 bevatten

Kit nr. 116144 moet schijf nr. 116120 bevatten

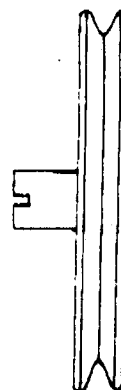
Indien u de verkeerde schijf ontving, gelieve ons te contacteren.



116121



116145



116120